



McGuire Manufacturing Co., Inc.

60 Grandview Court
Cheshire, Connecticut 06410
(203) 699-1801 Fax (203) 699-1813
customerservice@mcguiremfg.com mcguiremfg.com

PRODUCT SPECIFICATION

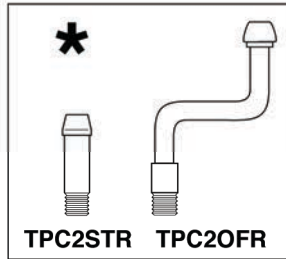
Part No.

LF157, LF157LK

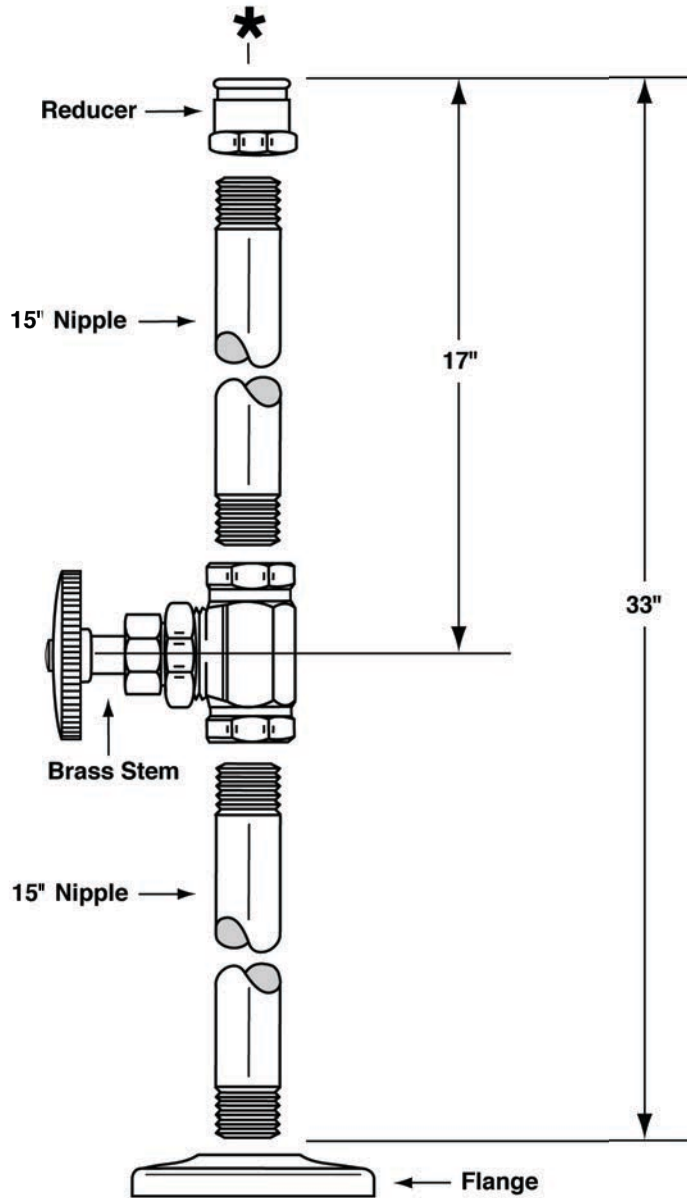
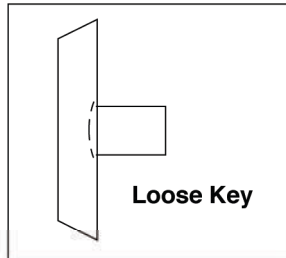
Rigid Lavatory Supply

Job Name:

Submittal Number:



McGuire tailpiece should be ordered separate for connection from reducer to faucet shank.
(See specification sheet for TPC2STR, TPC2OFR)



LK designates Loose Key

See options and accessories section for details on product variations.



Specifications:

Rigid supply kit shall include lead free chrome plated brass stops with threaded connections, stuffing box, full turn brass stem, no plastic, cast brass nipples, cast brass reducer and (steel, brass) or (forged brass with set screw) flange. Inlet shall be 3/8 inch IPS. Outlet shall be 3/8 inch IPS. Supply kit shall be McGuire _____ . Supply kit shall be certified by recognized testing authority and shall bear manufacturer and testing mark.



WARNING:

This product can expose you to chemicals including lead, which is known to the State of California to cause cancer, and birth defects or other reproductive harm. For more information go to www.P65Warnings.ca.gov.



McGuire Manufacturing Co., Inc.

60 Grandview Court
Cheshire, Connecticut 06410
(203) 699-1801 Fax (203) 699-1813
customerservice@mcguiremfg.com mcguiremfg.com

PRODUCT SPECIFICATION

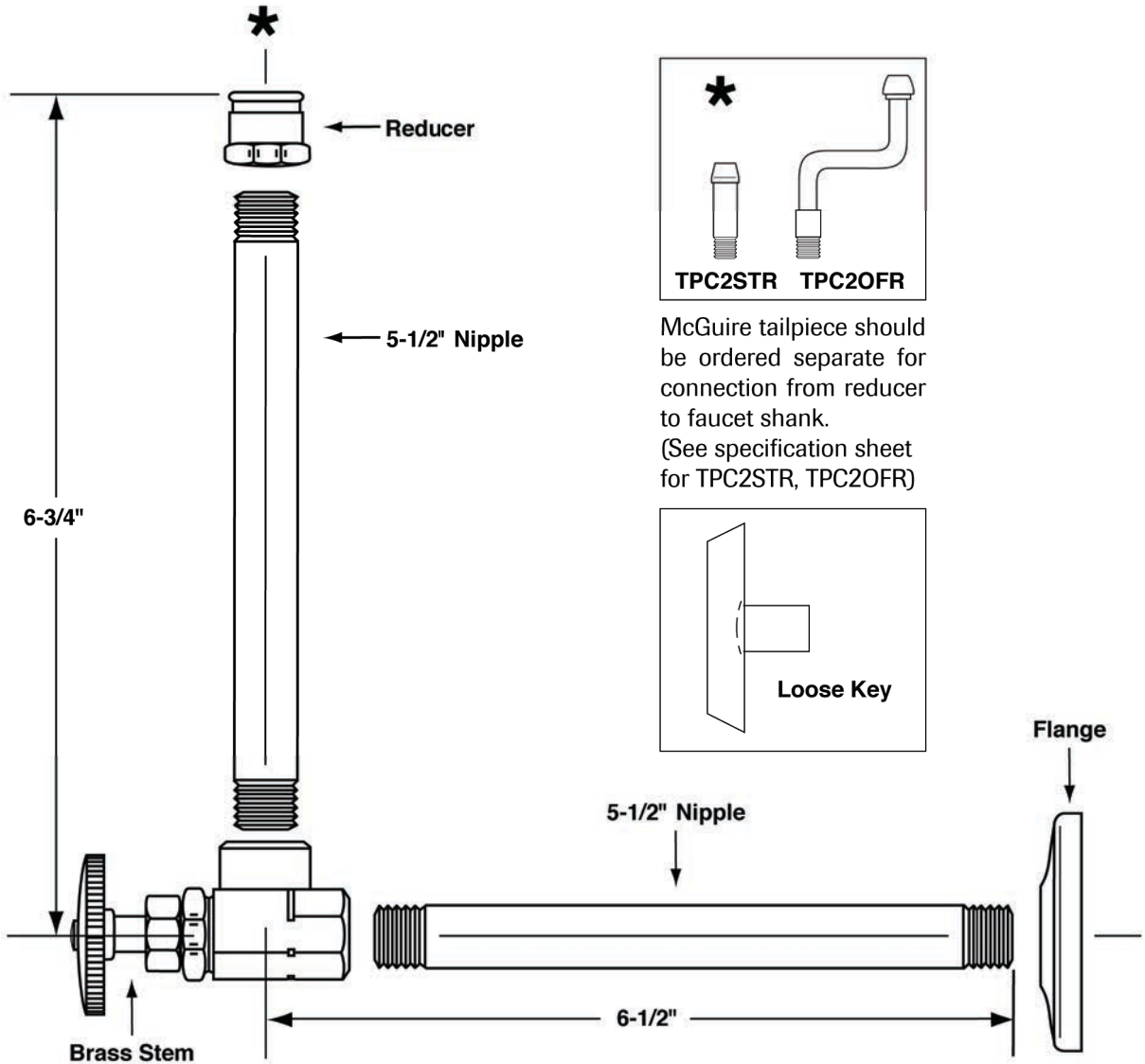
Part No.

LF158, LF158LK

Rigid Lavatory Supply

Job Name:

Submittal Number:



McGuire tailpiece should be ordered separate for connection from reducer to faucet shank.
(See specification sheet for TPC2STR, TPC2OFR)

LK designates Loose Key

See options and accessories section for details on product variations.



Specifications:

Rigid supply kit shall include lead free chrome plated brass stops with threaded connections, stuffing box, full turn brass stem, no plastic, cast brass nipples, cast brass reducer and (steel, brass) or (forged brass with set screw) flange. Inlet shall be 3/8 inch IPS. Outlet shall be 3/8 inch IPS. Supply kit shall be McGuire _____. Supply kit shall be certified by recognized testing authority and shall bear manufacturer and testing mark.



WARNING:

This product can expose you to chemicals including lead, which is known to the State of California to cause cancer, and birth defects or other reproductive harm. For more information go to www.P65Warnings.ca.gov.



McGuire Manufacturing Co., Inc.

60 Grandview Court
Cheshire, Connecticut 06410
(203) 699-1801 Fax (203) 699-1813
customerservice@mcguiremfg.com mcguiremfg.com

PRODUCT SPECIFICATION

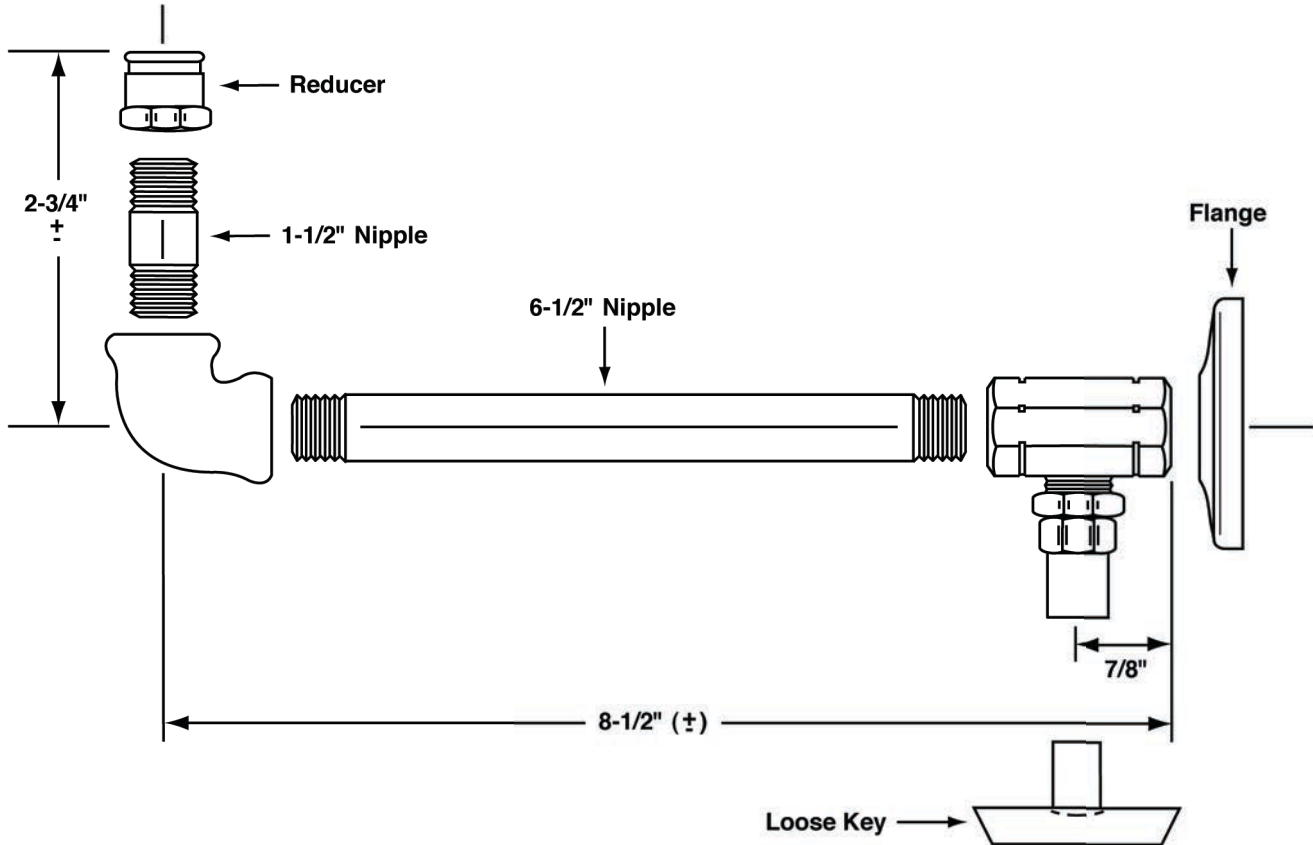
Part No.

LF158WC

**Rigid Wheelchair
Lavatory Supply**

Job Name:

Submittal Number:



See options and accessories section for details on product variations.

Specifications:

Wheelchair rigid supply kit shall include lead free chrome plated brass stops with threaded connections, stuffing box, full turn brass stem, no plastic, cast brass nipples, cast brass reducer and (steel, brass) or (forged brass with set screw) flange. Inlet shall be 3/8 inch IPS. Outlet shall be 3/8 inch IPS. Supply kit shall be McGuire _____ . Supply kit shall be certified by recognized testing authority and shall bear manufacturer and testing mark.



WARNING:

This product can expose you to chemicals including lead, which is known to the State of California to cause cancer, and birth defects or other reproductive harm. For more information go to www.P65Warnings.ca.gov.



McGuire Manufacturing Co., Inc.

60 Grandview Court
Cheshire, Connecticut 06410
(203) 699-1801 Fax (203) 699-1813
customerservice@mcguiremfg.com mcguiremfg.com

PRODUCT SPECIFICATION

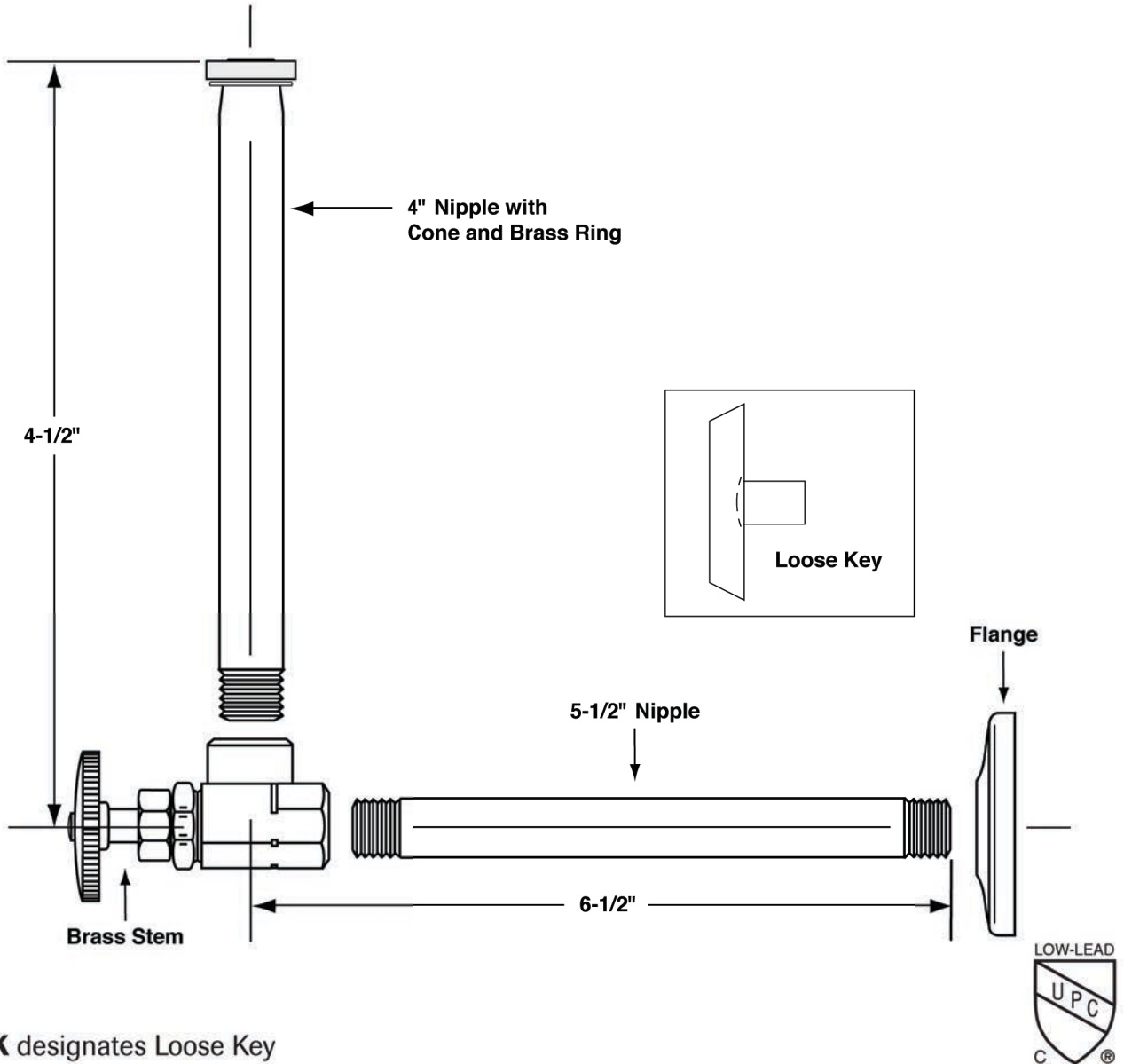
Part No.

LF159, LF159LK

Rigid Closet Supply

Job Name:

Submittal Number:



LK designates Loose Key

See options and accessories section for details on product variations.

Specifications:

Rigid supply kit shall include lead free chrome plated brass stops with threaded connections, stuffing box, full turn brass stem, no plastic, cast brass nipples, cast brass reducer and (steel, brass) or (forged brass with set screw) flange. Inlet shall be 3/8 inch IPS. Outlet shall be 3/8 inch IPS. Supply kit shall be McGuire _____ . Supply kit shall be certified by recognized testing authority and shall bear manufacturer and testing mark.



WARNING:

This product can expose you to chemicals including lead, which is known to the State of California to cause cancer, and birth defects or other reproductive harm. For more information go to www.P65Warnings.ca.gov.



McGuire Manufacturing Co., Inc.

60 Grandview Court
Cheshire, Connecticut 06410
(203) 699-1801 Fax (203) 699-1813
customerservice@mcguiremfg.com mcguiremfg.com

PRODUCT SPECIFICATION

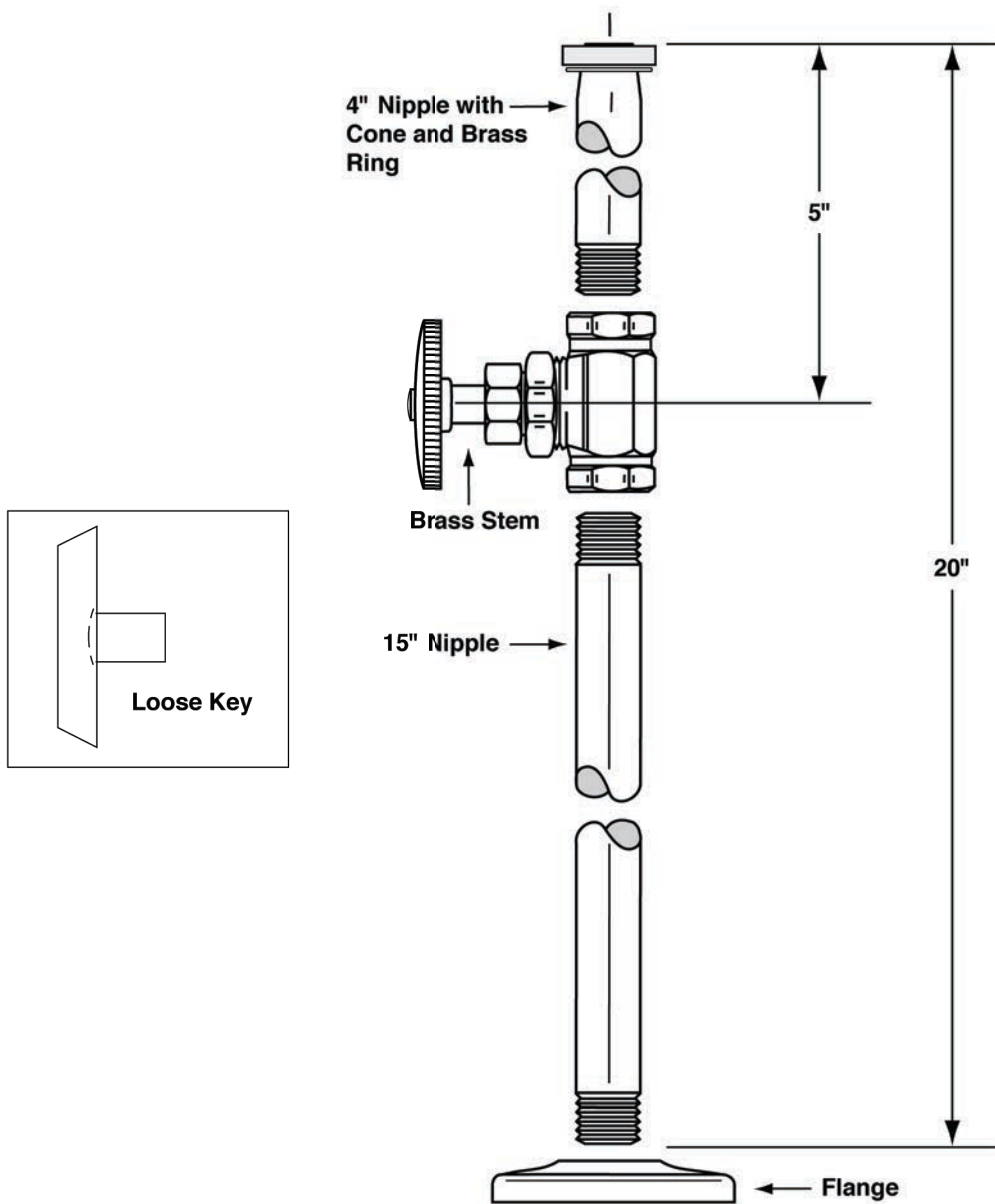
Part No.

LF160, LF160LK

Rigid Closet Supply

Job Name:

Submittal Number:



LK designates Loose Key

See options and accessories section for details on product variations.



Specifications:

Rigid supply kit shall include lead free chrome plated brass stops with threaded connections, stuffing box, full turn brass stem, no plastic, brass nipples, cast brass reducer and (steel, brass) or (forged brass with set screw) flange. Inlet shall be 3/8 inch IPS. Outlet shall be 3/8 inch IPS. Supply kit shall be McGuire _____. Supply kit shall be certified by recognized testing authority and shall bear manufacturer and testing mark.



WARNING:

This product can expose you to chemicals including lead, which is known to the State of California to cause cancer, and birth defects or other reproductive harm. For more information go to www.P65Warnings.ca.gov.



McGuire Manufacturing Co., Inc.

60 Grandview Court
 Cheshire, Connecticut 06410
 (203) 699-1801 Fax (203) 699-1813
 customerservice@mcguiremfg.com mcguiremfg.com

PRODUCT SPECIFICATION

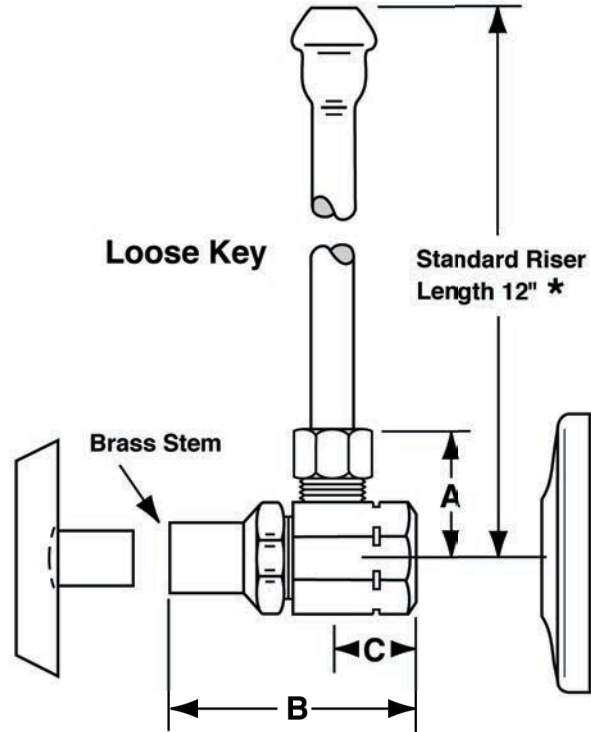
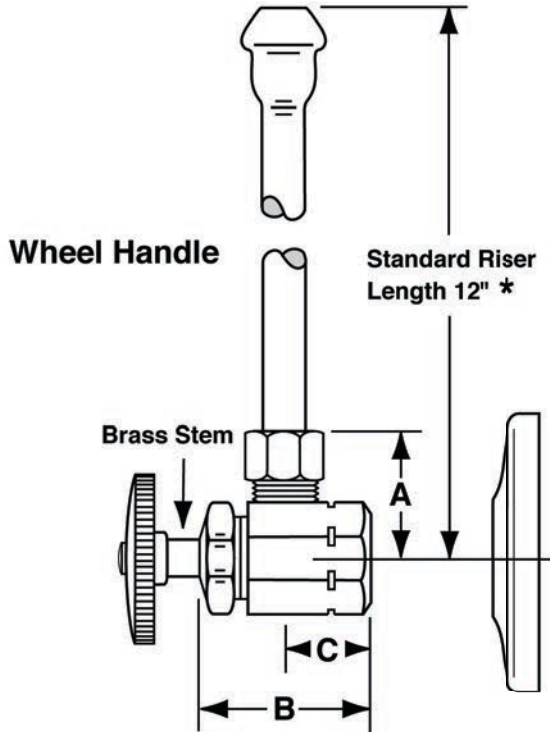
Part No.

LF165, LF165LK,
 LF167, LF167LK

Lavatory Supply
3/8" I.P.S. x O.D.

Job Name: _____

Submittal Number: _____



NO.	DESCRIPTION	ROUGHING MEASUREMENTS		
		A	B	C
LF165	3/8" I.P.S. x 3/8" O.D.	1"	1-1/2"	3/4"
LF165LK	3/8" I.P.S. x 3/8" O.D.	1"	2-1/4"	3/4"
LF167	3/8" I.P.S. x 1/2" O.D.	1"	1-1/2"	3/4"
LF167LK	3/8" I.P.S. x 1/2" O.D.	1"	2-1/4"	3/4"



LK designates Loose Key

* See options and accessories section for details on product variations.

Specifications:

Supply kit shall include lead free chrome plated supply stop valves with full turn brass stem, no plastic, (12, 15, 20) inch chrome plated risers and (shallow, deep, bell) (steel, brass) or (forged brass with set screw) flange. Inlet shall be 3/8 inch IPS. Outlet shall be 3/8 inch compression. Supply kit shall be McGuire _____. Supply shall be certified by recognized authority and bear manufacturer and testing mark.



WARNING:

This product can expose you to chemicals including lead, which is known to the State of California to cause cancer, and birth defects or other reproductive harm. For more information go to www.P65Warnings.ca.gov.



McGuire Manufacturing Co., Inc.

60 Grandview Court
 Cheshire, Connecticut 06410
 (203) 699-1801 Fax (203) 699-1813
 customerservice@mcguiremfg.com mcguiremfg.com

PRODUCT SPECIFICATION

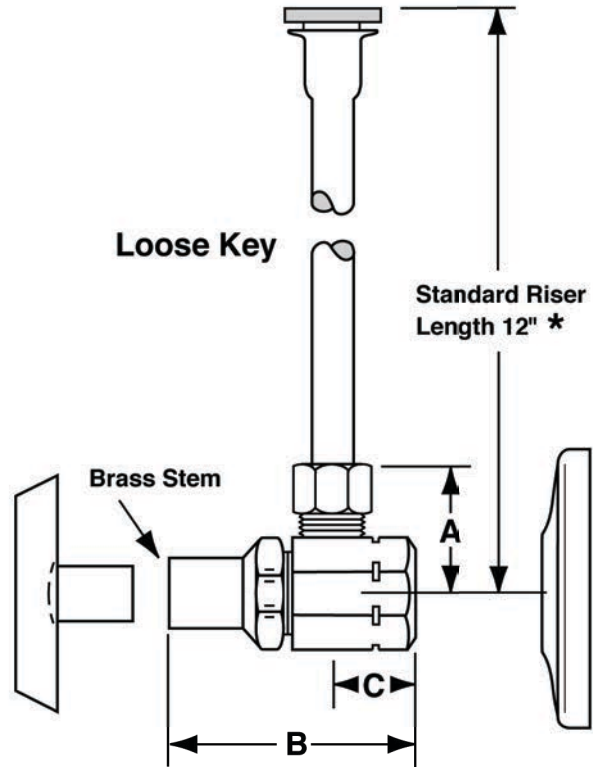
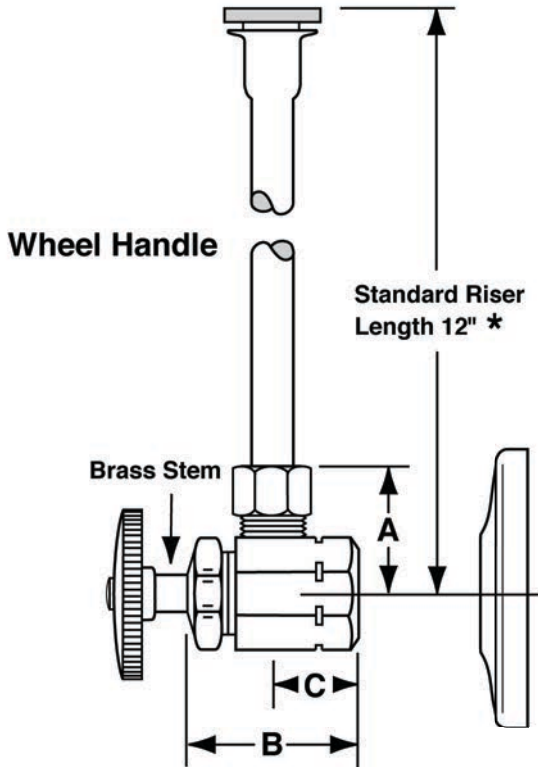
Part No.

**LF166, LF166LK,
 LF169, LF169LK**

**Closet Supply
 3/8" I.P.S. x O.D.**

Job Name: _____

Submittal Number: _____



NO.	DESCRIPTION	ROUGHING MEASUREMENTS		
		A	B	C
LF166	3/8" I.P.S. x 3/8" O.D.	1"	1-1/2"	3/4"
LF166LK	3/8" I.P.S. x 3/8" O.D.	1"	2-1/4"	3/4"
LF169	3/8" I.P.S. x 1/2" O.D.	1"	1-1/2"	3/4"
LF169LK	3/8" I.P.S. x 1/2" O.D.	1"	2-1/4"	3/4"



LK designates Loose Key

* See options and accessories section for details on product variations.

Specifications:

Supply kit shall include lead free chrome plated brass supply stop valves with full turn brass stem, no plastic, (12, 15, 20) inch chrome plated risers and (shallow, deep, bell) (steel, brass) or (forged brass with set screw) flange. Inlet shall be (3/8, 1/2) inch (IPS, sweat, compression). Outlet shall be (3/8, 1/2) inch (IPS, compression). Supply kit shall be McGuire _____. Supply kit shall be certified by recognized authority and bear manufacturer and testing mark.



WARNING:

This product can expose you to chemicals including lead, which is known to the State of California to cause cancer, and birth defects or other reproductive harm. For more information go to www.P65Warnings.ca.gov.



McGuire Manufacturing Co., Inc.

60 Grandview Court
 Cheshire, Connecticut 06410
 (203) 699-1801 Fax (203) 699-1813
 customerservice@mcguiremfg.com mcguiremfg.com

PRODUCT SPECIFICATION

Part No.

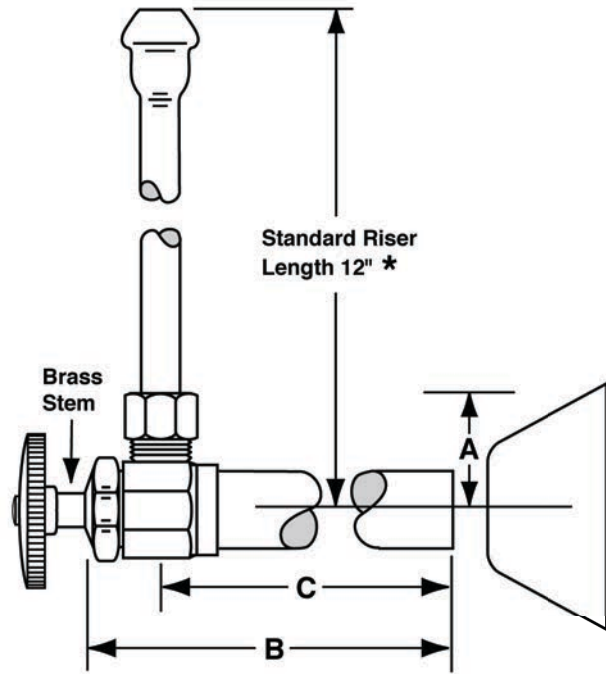
**LF170, LF170LK,
 LF171, LF171LK**

**Sweat Lavatory Supply
 with 5" Extension**

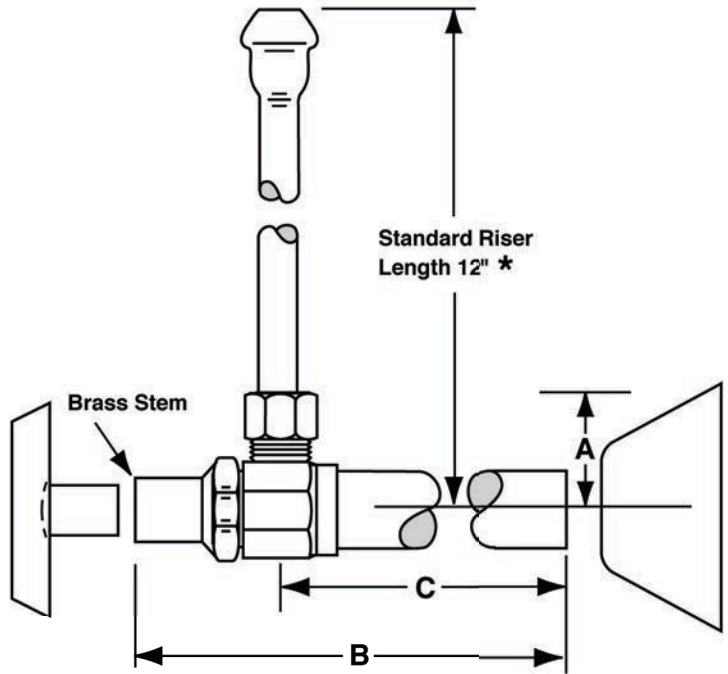
Job Name: _____

Submittal Number: _____

**Wheel Handle
 with 5"
 Extension Tube**



**Loose Key
 with 5"
 Extension Tube**



NO.	DESCRIPTION	ROUGHING MEASUREMENTS		
		A	B	C
LF170	1/2" Sweat x 3/8" O.D.	1"	6-1/4"	5-1/2"
LF170LK	1/2" Sweat x 3/8" O.D.	1"	7"	5-1/2"
LF171	1/2" Sweat x 1/2" O.D.	1"	6-1/4"	5-1/2"
LF171LK	1/2" Sweat x 1/2" O.D.	1"	7"	5-1/2"



LK designates Loose Key

* See options and accessories section for details on product variations.

Specifications:

Supply kit shall include lead free chrome plated brass supply stop valves with full turn brass stem, no plastic, (12, 15, 20) inch chrome plated risers and (shallow, deep, bell) (steel, brass) or (forged brass with set screw) flange. Inlet shall be (3/8, 1/2) inch (IPS, sweat, compression). Outlet shall be (3/8, 1/2) inch (IPS, compression). Supply kit shall be McGuire _____. Supply kit shall be certified by recognized authority and bear manufacturer and testing mark.

WARNING:

This product can expose you to chemicals including lead, which is known to the State of California to cause cancer, and birth defects or other reproductive harm. For more information go to www.P65Warnings.ca.gov.



McGuire Manufacturing Co., Inc.

60 Grandview Court
 Cheshire, Connecticut 06410
 (203) 699-1801 Fax (203) 699-1813
 customerservice@mcguiremfg.com mcguiremfg.com

Part No.

**LF172, LF172LK,
 LF173, LF173LK**

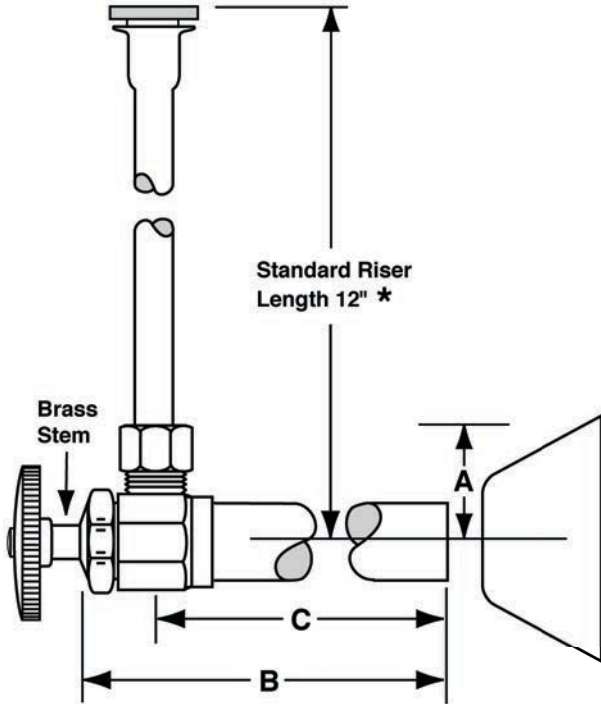
PRODUCT SPECIFICATION

**Sweat Closet Supply
 with 5" Extension**

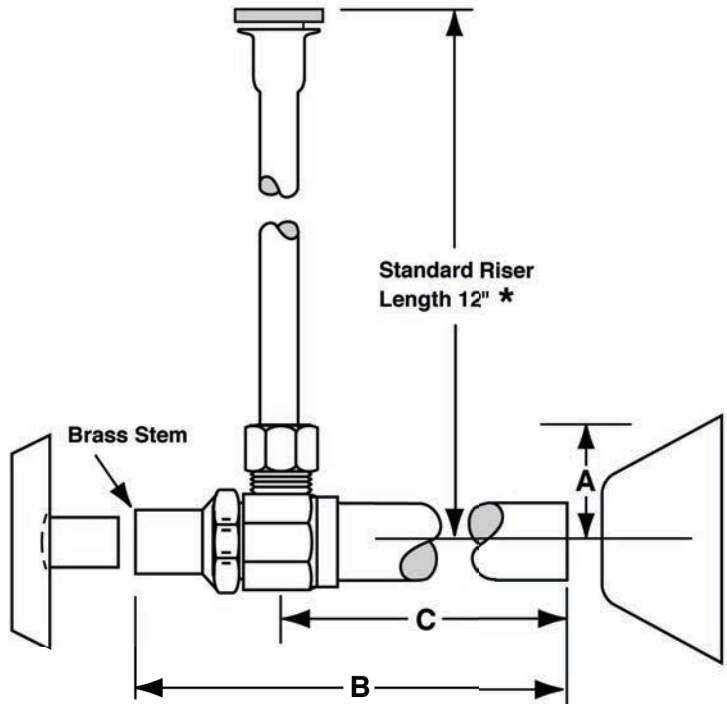
Job Name: _____

Submittal Number: _____

**Wheel Handle
 with 5"
 Extension Tube**



**Loose Key
 with 5"
 Extension Tube**



NO.	DESCRIPTION	ROUGHING MEASUREMENTS		
		A	B	C
LF172	1/2" Sweat x 3/8" O.D.	1"	6-1/4"	5-1/2"
LF172LK	1/2" Sweat x 3/8" O.D.	1"	7"	5-1/2"
LF173	1/2" Sweat x 1/2" O.D.	1"	6-1/4"	5-1/2"
LF173LK	1/2" Sweat x 1/2" O.D.	1"	7"	5-1/2"

LK designates Loose Key

* See options and accessories section for details on product variations.



Specifications:

Supply kit shall include chrome plated lead free compliant supply stop valves with full turn brass stem, no plastic, (12, 15, 20) inch chrome plated risers and (shallow, deep, bell) (steel or brass) or (forged brass with set screw) flange. Inlet shall be (3/8, 1/2) inch (IPS, sweat, compression). Outlet shall be (3/8, 1/2) inch (IPS, compression). Supply kit shall be McGuire _____. Supply kit shall be certified by recognized and bear manufacturer and testing mark.



WARNING:

This product can expose you to chemicals including lead, which is known to the State of California to cause cancer, and birth defects or other reproductive harm. For more information go to www.P65Warnings.ca.gov.



McGuire Manufacturing Co., Inc.

60 Grandview Court
 Cheshire, Connecticut 06410
 (203) 699-1801 Fax (203) 699-1813
 customerservice@mcguiremfg.com mcguiremfg.com

Part No.

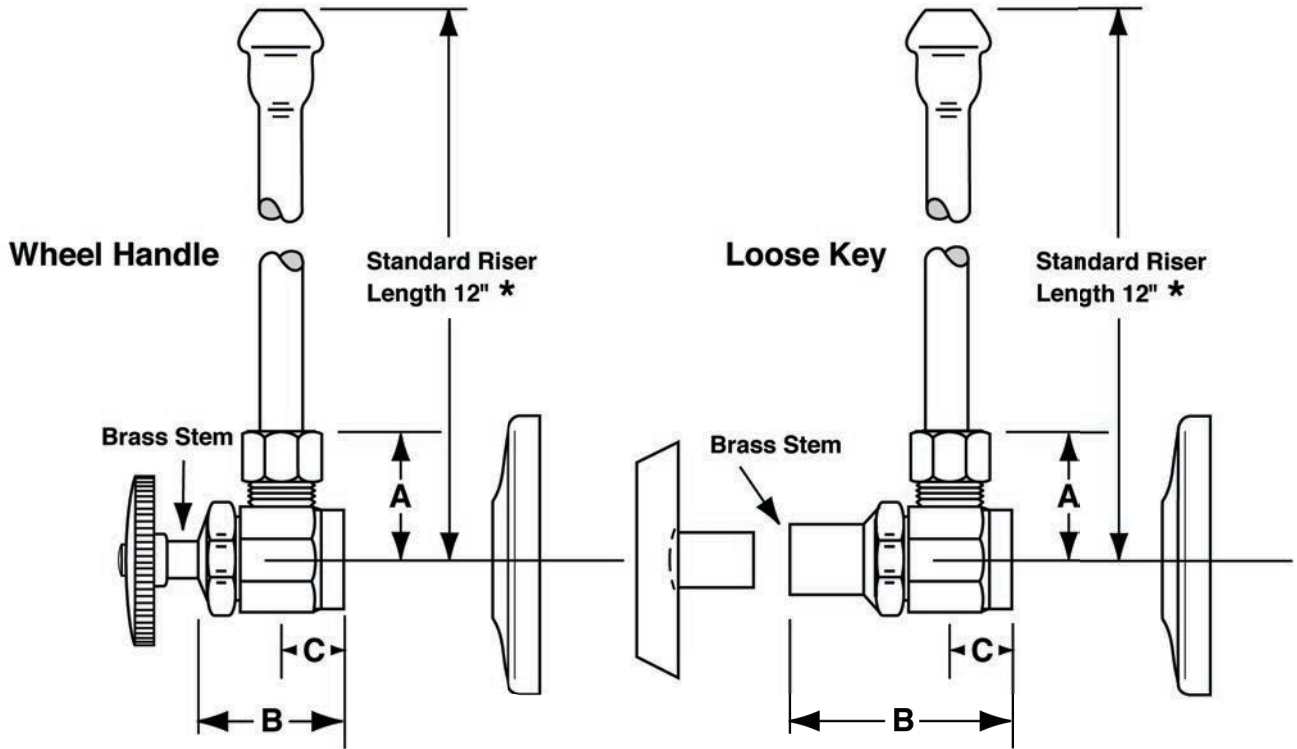
**LF175, LF175LK,
 LF177, LF177LK**

PRODUCT SPECIFICATION

Sweat Lavatory Supply

Job Name: _____

Submittal Number: _____



NO.	DESCRIPTION	ROUGHING MEASUREMENTS		
		A	B	C
LF175	1/2" Sweat x 3/8" O.D.	1"	1-1/2"	3/4"
LF175LK	1/2" Sweat x 3/8" O.D.	1"	2-1/4"	3/4"
LF177	1/2" Sweat x 1/2" O.D.	1"	1-1/2"	3/4"
LF177LK	1/2" Sweat x 1/2" O.D.	1"	2-1/4"	3/4"

LK designates Loose Key

* See options and accessories section for details on product variations.



Specifications:

Supply kit shall include lead free chrome plated brass supply stop valves with full turn brass stem, no plastic, (12, 15, 20) inch chrome plated risers and (shallow, deep, bell) (steel, brass) or (forged brass with set screw) flange. Inlet shall be (3/8, 1/2) inch (IPS, sweat, compression). Outlet shall be (3/8, 1/2) inch (IPS, compression). Supply kit shall be McGuire _____. Supply kit shall be certified by recognized authority and bear manufacturer and testing mark.



WARNING:

This product can expose you to chemicals including lead, which is known to the State of California to cause cancer, and birth defects or other reproductive harm. For more information go to www.P65Warnings.ca.gov.



McGuire Manufacturing Co., Inc.

60 Grandview Court
 Cheshire, Connecticut 06410
 (203) 699-1801 Fax (203) 699-1813
 customerservice@mcguiremfg.com mcguiremfg.com

PRODUCT SPECIFICATION

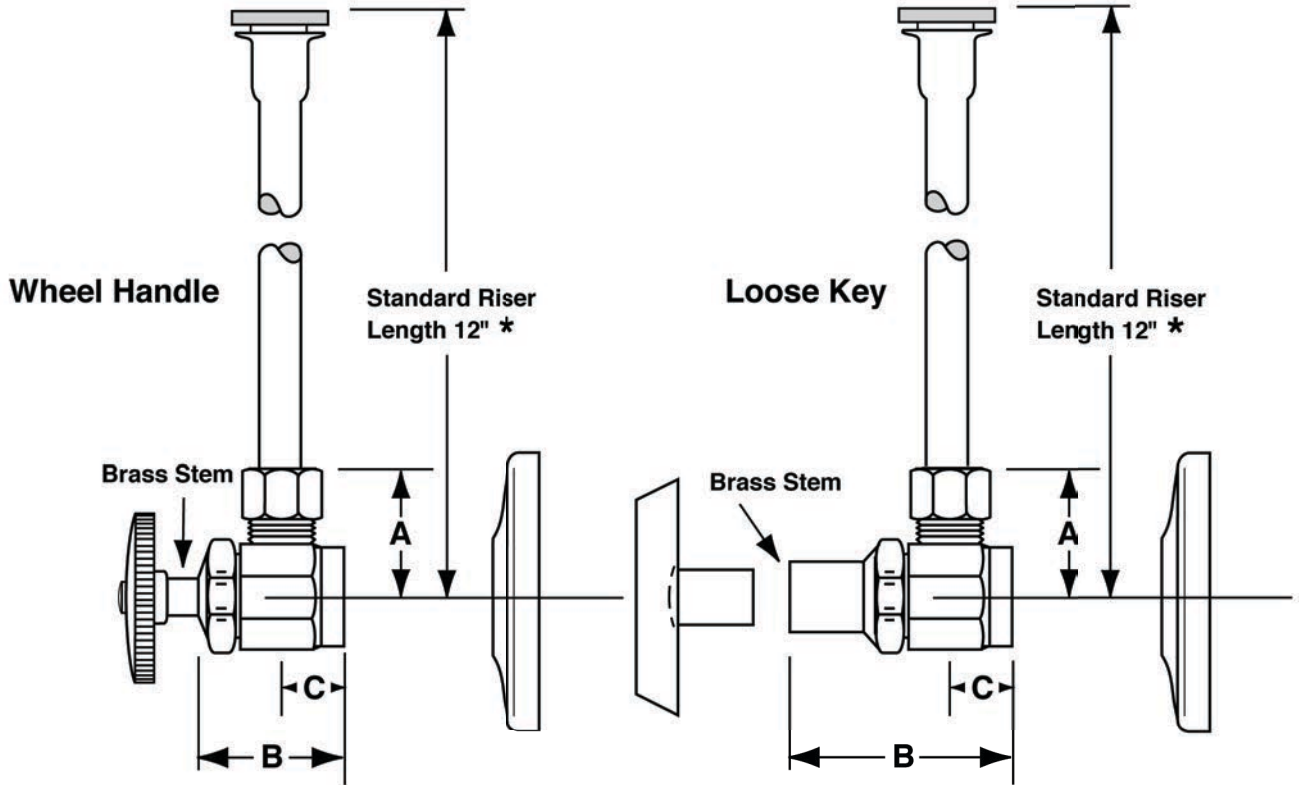
Part No.

**LF185, LF185LK,
 LF187, LF187LK**

Sweat Closet Supply

Job Name: _____

Submittal Number: _____



NO.	DESCRIPTION	ROUGHING MEASUREMENTS		
		A	B	C
LF185	1/2" Sweat x 3/8" O.D.	1"	1-1/2"	3/4"
LF185LK	1/2" Sweat x 3/8" O.D.	1"	2-1/4"	3/4"
LF187	1/2" Sweat x 1/2" O.D.	1"	1-1/2"	3/4"
LF187LK	1/2" Sweat x 1/2" O.D.	1"	2-1/4"	3/4"

LK designates Loose Key

* See options and accessories section for details on product variations.



Specifications:

Supply kit shall include lead free chrome plated brass supply stop valves with full turn brass stem, no plastic, (12, 15, 20) inch chrome plated risers and (shallow, deep, bell) (steel, brass) or (forged brass with set screw) flange. Inlet shall be (3/8, 1/2) inch (IPS, sweat, compression). Outlet shall be (3/8, 1/2) inch (IPS, compression). Supply kit shall be McGuire _____. Supply kit shall be certified by recognized authority and bear manufacturer and testing mark.

! WARNING:

This product can expose you to chemicals including lead, which is known to the State of California to cause cancer, and birth defects or other reproductive harm. For more information go to www.P65Warnings.ca.gov.



McGuire Manufacturing Co., Inc.

60 Grandview Court
 Cheshire, Connecticut 06410
 (203) 699-1801 Fax (203) 699-1813
 customerservice@mcguiremfg.com mcguiremfg.com

PRODUCT SPECIFICATION

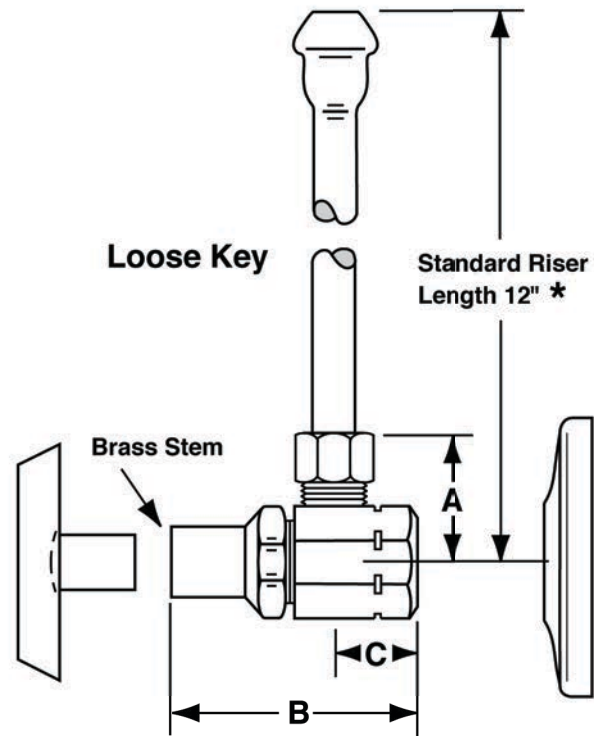
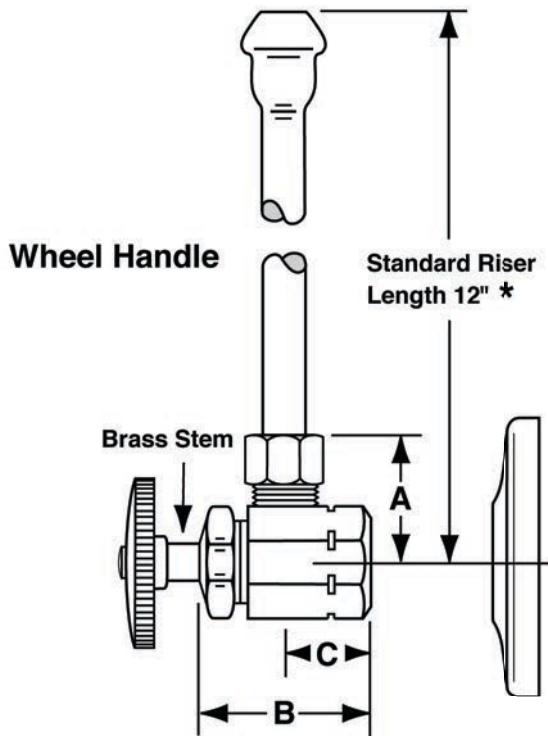
Part No.

LF2165, LF2165LK,
 LF2167, LF2167LK

Lavatory Supply
1/2" I.P.S. x O.D.

Job Name: _____

Submittal Number: _____



NO.	DESCRIPTION	ROUGHING MEASUREMENTS		
		A	B	C
LF2165	1/2" I.P.S. x 3/8" O.D.	1-3/16"	1-1/2"	3/4"
LF2165LK	1/2" I.P.S. x 3/8" O.D.	1-3/16"	2-1/4"	3/4"
LF2167	1/2" I.P.S. x 1/2" O.D.	1-3/16"	1-1/2"	3/4"
LF2167LK	1/2" I.P.S. x 1/2" O.D.	1-3/16"	2-1/4"	3/4"

LK designates Loose Key

* See options and accessories section for details on product variations.



Specifications:

Supply kit shall include lead free chrome plated brass supply stop valves with full turn brass stem, no plastic, (12, 15, 20) inch chrome plated risers and (shallow, deep, bell) (steel, brass) or (forged brass with set screw) flange. Inlet shall be (3/8, 1/2) inch (IPS, compression). Outlet shall be (3/8, 1/2) inch compression. Supply kit shall be McGuire _____. Supply kit shall be certified by recognized authority and bear manufacturer and testing mark.



WARNING:

This product can expose you to chemicals including lead, which is known to the State of California to cause cancer, and birth defects or other reproductive harm. For more information go to www.P65Warnings.ca.gov.



McGuire Manufacturing Co., Inc.

60 Grandview Court
 Cheshire, Connecticut 06410
 (203) 699-1801 Fax (203) 699-1813
 customerservice@mcguiremfg.com mcguiremfg.com

PRODUCT SPECIFICATION

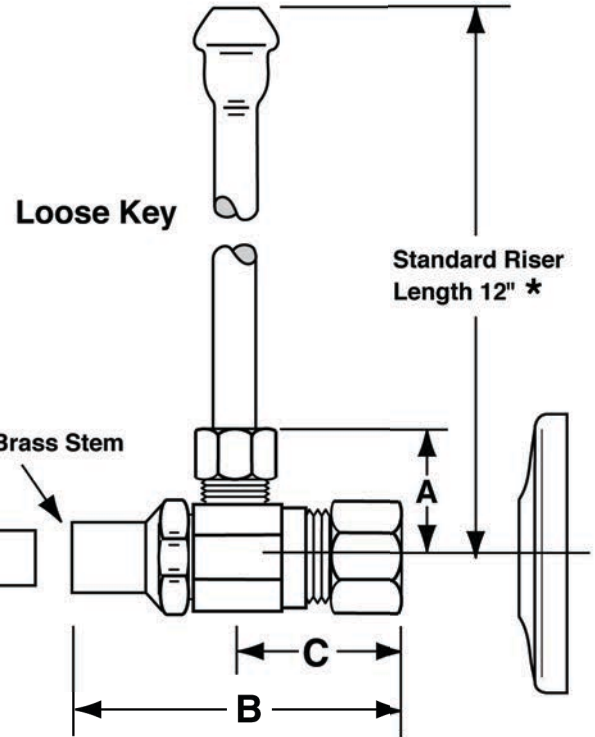
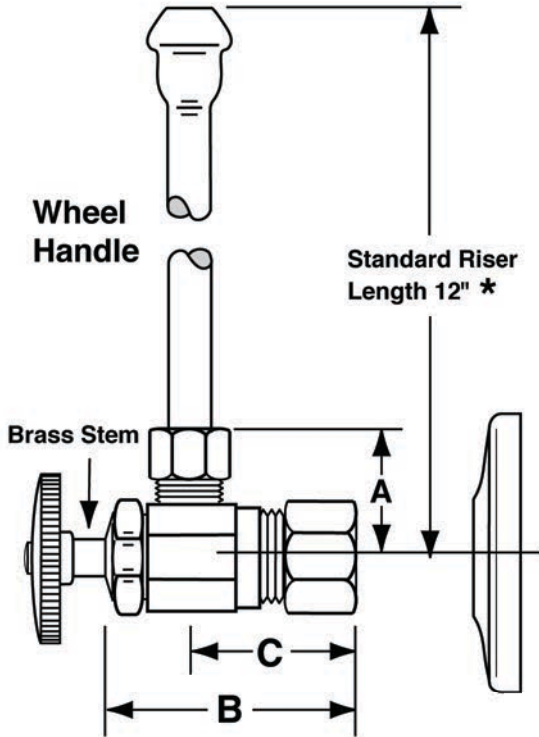
Part No.

LF2165CC, LF2165CCLK,
 LF2167CC, LF2167CCLK

Compression x Compression
 Lavatory Supply

Job Name: _____

Submittal Number: _____



NO.	DESCRIPTION	ROUGHING MEASUREMENTS		
		A	B	C
LF2165CC	1/2" Nominal x 3/8" O.D.	1"	1-3/4"	1"
LF2165CCLK	1/2" Nominal x 3/8" O.D.	1"	2-3/8"	1"
LF2167CC	1/2" Nominal x 1/2" O.D.	1"	1-3/4"	1-1/4"
LF2167CCLK	1/2" Nominal x 1/2" O.D.	1"	2-3/8"	1-1/4"

LK designates Loose Key

* See options and accessories section for details on product variations.



Specifications:

Supply kit shall include lead free chrome plated supply brass stop valves with full turn brass stem, no plastic, (12, 15, 20) inch chrome plated risers and (shallow, deep, bell) (steel, brass) or (forged brass with set screw) flange. Inlet shall be (3/8, 1/2) inch IPS. Outlet shall be (3/8, 1/2) inch (IPS, compression). Supply kit shall be McGuire _____. Supply kit shall be certified by recognized authority and bear manufacturer and testing mark.



WARNING:

This product can expose you to chemicals including lead, which is known to the State of California to cause cancer, and birth defects or other reproductive harm. For more information go to www.P65Warnings.ca.gov.



McGuire Manufacturing Co., Inc.

60 Grandview Court
 Cheshire, Connecticut 06410
 (203) 699-1801 Fax (203) 699-1813
 customerservice@mcguiremfg.com mcguiremfg.com

PRODUCT SPECIFICATION

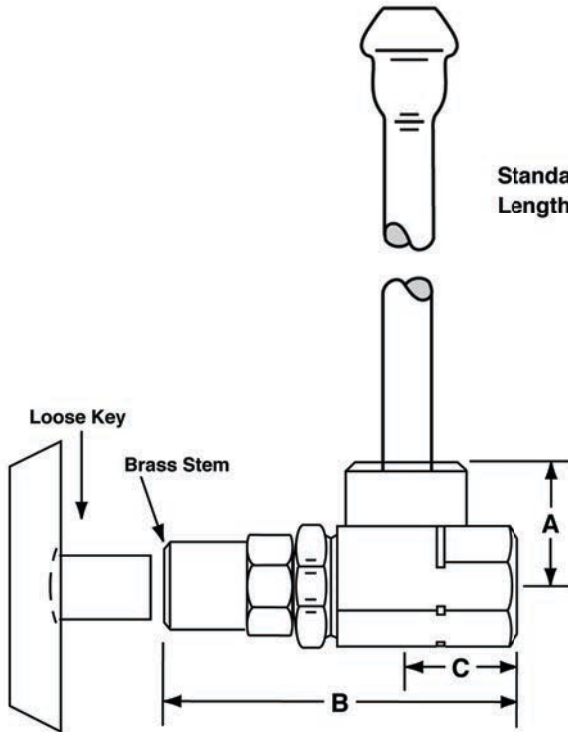
Part No.

LF2165SB, LF2165LKSB,
 LF2167SB, LF2167LKSB

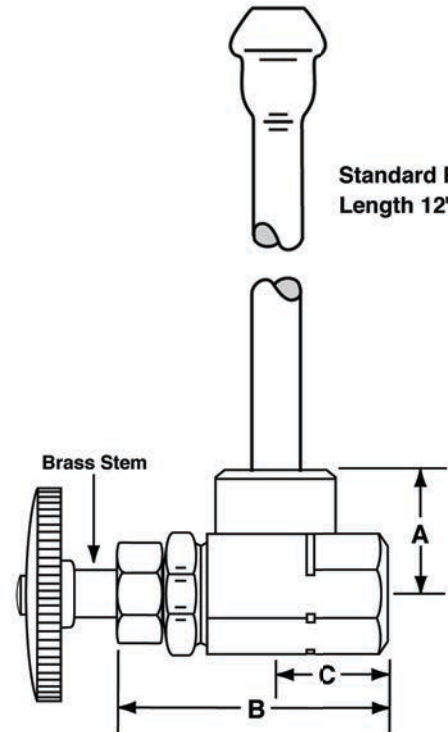
Lavatory Supply
1/2" I.P.S. x O.D.

Job Name:

Submittal Number:



Standard Riser
 Length 12" *



Standard Riser
 Length 12" *

NO.	DESCRIPTION	ROUGHING MEASUREMENTS		
		A	B	C
LF2165SB	1/2" I.P.S. x 3/8" O.D.	7/8"	2"	7/8"
LF2165LKSB	1/2" I.P.S. x 3/8" O.D.	7/8"	2-9/16"	7/8"
LF2167SB	1/2" I.P.S. x 1/2" O.D.	7/8"	2"	7/8"
LF2167LKSB	1/2" I.P.S. x 1/2" O.D.	7/8"	2-9/16"	7/8"

SB designates *Stuffing Box*

LK designates *Loose Key*

* See options and accessories section for details on product variations.



Specifications:

Supply kit shall include lead free chrome plated brass stop valve with stuffing box and full brass stem. Inlet shall be (3/8, 1/2) inch (IPS, sweat, compression.) Outlet shall be (3/8, 1/2) inch (IPS, compression.) Supply stop valve shall be McGuire _____. Supply shall be certified by recognized testing authority and bear manufacturer and testing mark.



WARNING:

This product can expose you to chemicals including lead, which is known to the State of California to cause cancer, and birth defects or other reproductive harm. For more information go to www.P65Warnings.ca.gov.



McGuire Manufacturing Co., Inc.

60 Grandview Court
 Cheshire, Connecticut 06410
 (203) 699-1801 Fax (203) 699-1813
 customerservice@mcguiremfg.com mcguiremfg.com

PRODUCT SPECIFICATION

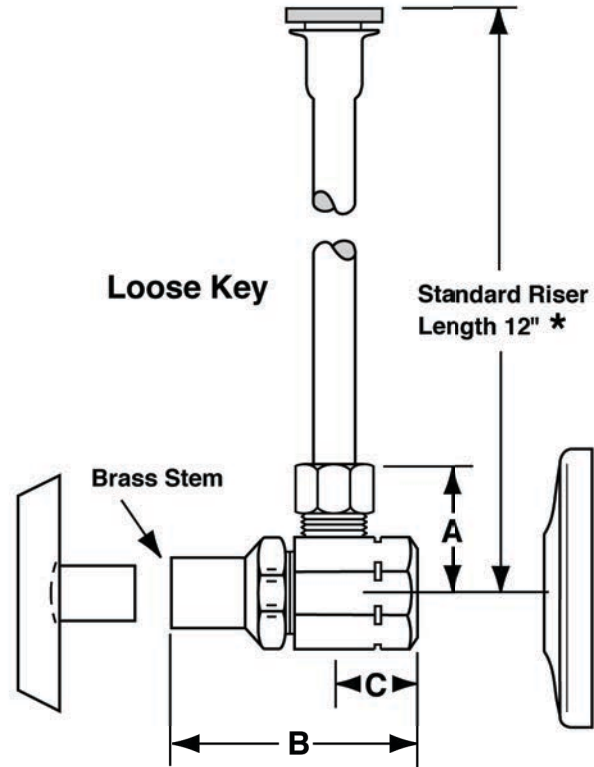
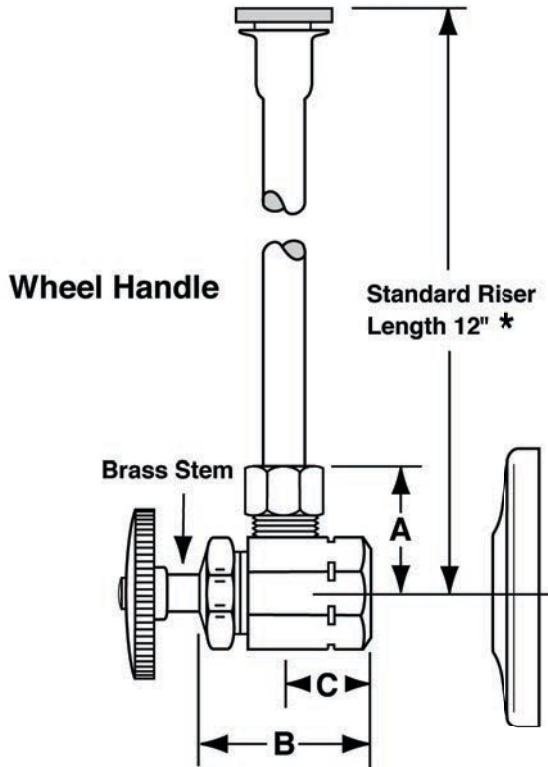
Part No.

LF2166, LF2166LK,
 LF2169, LF2169LK

Closest Supply
1/2" I.P.S. x O.D.

Job Name:

Submittal Number:



NO.	DESCRIPTION	ROUGHING MEASUREMENTS		
		A	B	C
LF2166	1/2" I.P.S. x 3/8" O.D.	1"	1-1/2"	3/4"
LF2166LK	1/2" I.P.S. x 3/8" O.D.	1"	2-1/4"	3/4"
LF2169	1/2" I.P.S. x 1/2" O.D.	1"	1-1/2"	3/4"
LF2169LK	1/2" I.P.S. x 1/2" O.D.	1"	2-1/4"	3/4"

LK designates Loose Key

* See options and accessories section for details on product variations.



Specifications:

Supply kit shall include lead free chrome plated brass supply stop valves with full turn brass stem, no plastic, (12, 15, 20) inch chrome plated risers and (shallow, deep, bell) (steel, brass) or (forged brass with set screw) flange. Inlet shall be (3/8, 1/2) inch (IPS, sweat, compression). Outlet shall be (3/8, 1/2) inch (IPS, compression). Supply kit shall be McGuire _____. Supply kit shall be certified by recognized authority and bear manufacturer and testing mark.



WARNING:

This product can expose you to chemicals including lead, which is known to the State of California to cause cancer, and birth defects or other reproductive harm. For more information go to www.P65Warnings.ca.gov.



McGuire Manufacturing Co., Inc.

60 Grandview Court
 Cheshire, Connecticut 06410
 (203) 699-1801 Fax (203) 699-1813
 customerservice@mcguiremfg.com mcguiremfg.com

PRODUCT SPECIFICATION

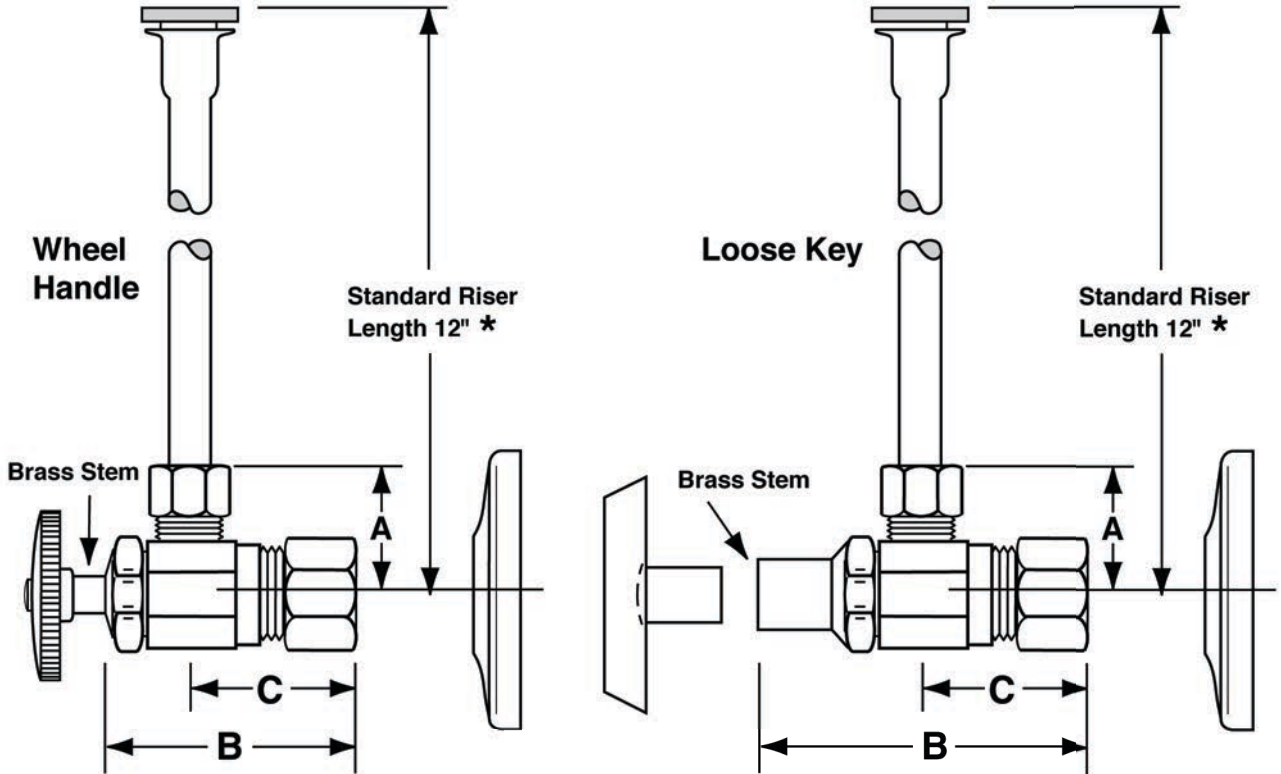
Part No.

**LF2166CC, LF2166CCLK,
 LF2169CC, LF2169CCLK**

**Compression x Compression
 Closet Supply**

Job Name:

Submittal Number:



NO.	DESCRIPTION	ROUGHING MEASUREMENTS		
		A	B	C
LF2166CC	1/2" Nominal x 3/8" O.D.	1"	1-1/2"	3/4"
LF2166CCLK	1/2" Nominal x 3/8" O.D.	1"	2-1/4"	3/4"
LF2169CC	1/2" Nominal x 1/2" O.D.	1"	1-1/2"	3/4"
LF2169CC	1/2" Nominal x 1/2" O.D.	1"	2-1/4"	3/4"



LK designates Loose Key

* See options and accessories section for details on product variations.

Specifications:

Supply kit shall include lead free chrome plated brass supply stop valves with full turn brass stem, no plastic, (12, 15, 20) inch chrome plated risers and (shallow, deep, bell) (steel, brass) or (forged brass with set screw) flange. Inlet shall be (3/8, 1/2) inch (IPS, sweat, compression). Outlet shall be (3/8, 1/2) inch (IPS, compression). Supply kit shall be McGuire _____ . Supply kit shall be certified by recognized authority and bear manufacturer and testing mark.



WARNING:

This product can expose you to chemicals including lead, which is known to the State of California to cause cancer, and birth defects or other reproductive harm. For more information go to www.P65Warnings.ca.gov.



McGuire Manufacturing Co., Inc.

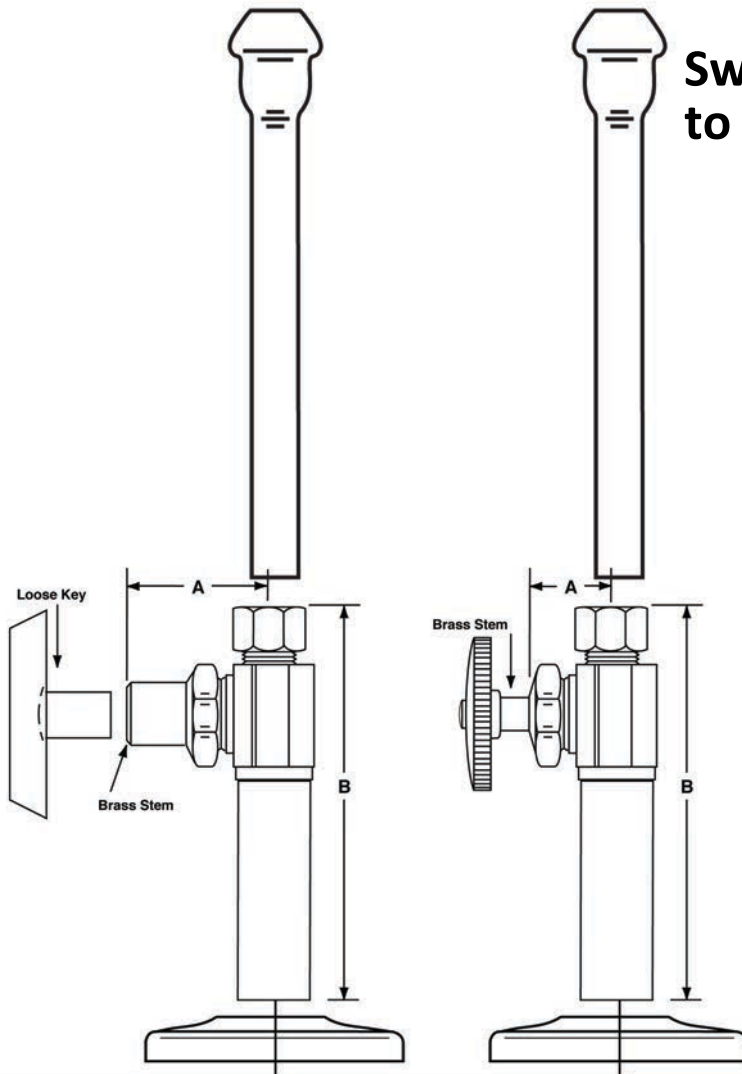
60 Grandview Court
 Cheshire, Connecticut 06410
 (203) 699-1801 Fax (203) 699-1813
 customerservice@mcguiremfg.com mcguiremfg.com

Part No.
LF270 and LF270LK
Straight Lavatory Supply Kit
 Sweat w/5" ext. x OD

PRODUCT SPECIFICATION

Job Name:

Submittal Number:



Sweat w/ 5" Extension to Compression

Model No.	Description	Roughing Measurements	
		A	B
LF270	1/2" Copper Sweat w/ 5" Ext x 3/8 OD STD	7/8"	6-5/8"
LF270LK	1/2" Copper Sweat w/ 5" Ext x 3/8 OD STD LK	1-1/2"	6-5/8"

LK designates *Loose Key*



See options and accessories section for details on product variations.

Specifications:

Supply kit shall include lead free chrome plated supply brass stop valves with full turn brass stem, no plastic, (12) inch chrome plated risers and (shallow) (steel) flange. Inlet shall be (1/2) inch copper sweat with 5" extension. Outlet shall be (3/8) inch OD. Supply kit shall be McGuire _____. Supply kit shall be certified by recognized authority and bear manufacturer and testing mark.



WARNING:

This product can expose you to chemicals including lead, which is known to the State of California to cause cancer, and birth defects or other reproductive harm. For more information go to www.P65Warnings.ca.gov.



McGuire Manufacturing Co., Inc.

60 Grandview Court
 Cheshire, Connecticut 06410
 (203) 699-1801 Fax (203) 699-1813
 customerservice@mcguiremfg.com mcguiremfg.com

PRODUCT SPECIFICATION

Part No.

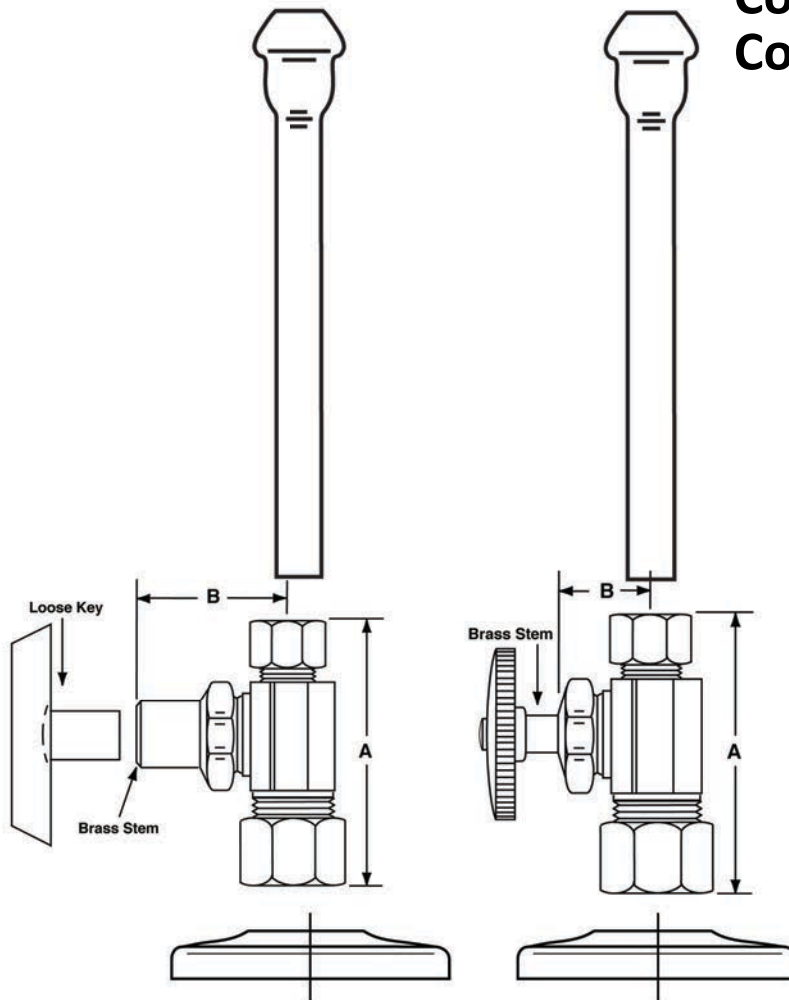
**LF3165CC and
 LF3165CCLK**

**Straight Lavatory Supply Kit
 NOMINAL x O.D.**

Job Name:

Submittal Number:

Compression to Compression



Model No.	Description	Roughing Measurements	
		A	B
LF3165CC	1/2" NOMINAL x 3/8" OD STD	2-1/4"	7/8"
LF3165CCLK	1/2" NOMINAL x 3/8" OD STD LK	2-1/4"	1-5/8"

LK designates *Loose Key*



See options and accessories section for details on product variations.

Specifications:

Supply kit shall include lead free chrome plated supply brass stop valves with full turn brass stem, no plastic, (12) inch chrome plated risers and (shallow) (steel) flange. Inlet shall be (1/2) inch nominal. Outlet shall be (3/8) inch OD Supply kit shall be McGuire _____. Supply kit shall be certified by recognized authority and bear manufacturer and testing mark.



WARNING:

This product can expose you to chemicals including lead, which is known to the State of California to cause cancer, and birth defects or other reproductive harm. For more information go to www.P65Warnings.ca.gov.



McGuire Manufacturing Co., Inc.

60 Grandview Court
 Cheshire, Connecticut 06410
 (203) 699-1801 Fax (203) 699-1813
 customerservice@mcguiremfg.com mcguiremfg.com

PRODUCT SPECIFICATION

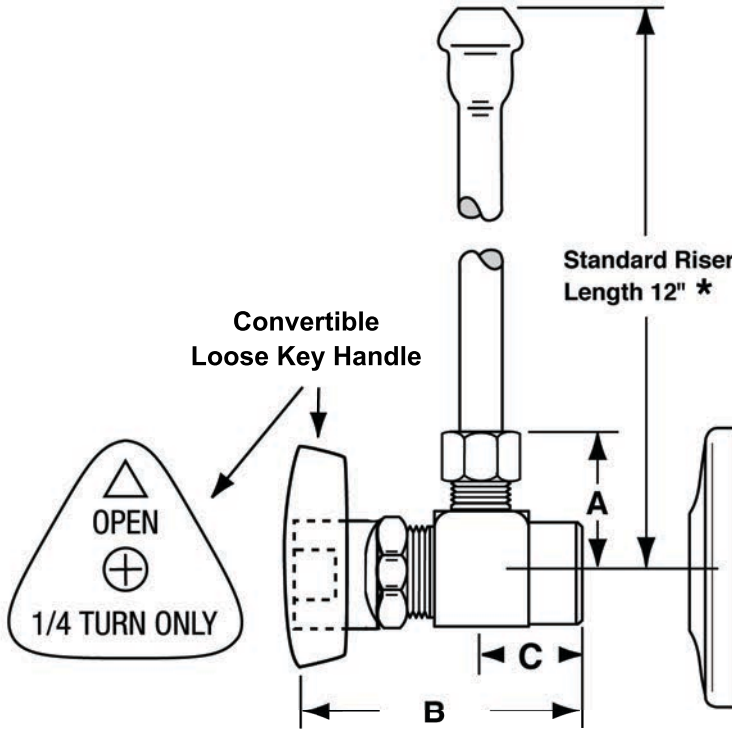
Part No.

LFBV165

**Quarter-Turn Brass Ball
 Valve Lavatory Supply
 3/8" IPS x OD**

Job Name:

Submittal Number:



NO.	DESCRIPTION	ROUGHING MEASUREMENTS		
		A	B	C
LFBV165	3/8" I.P.S. x 3/8" O.D.	1-3/8"	1-15/16"	1"



* See options and accessories section for details on product variations.

Specifications:

Supply kit shall include chrome plated, commercial pattern Quarter Turn Brass Ball Valve with convertible loose key handle, (chrome plated copper or stainless braided riser) and (shallow, deep, bell) (steel or brass) or (forged brass with set screw) flange. Inlet shall be 3/8" IPS. Outlet shall be 3/8" OD. Supply ket shall be McGuire _____. Supply kit shall be certified by recognized testing authority and bear manufacturer and testing mark.



WARNING:

This product can expose you to chemicals including lead, which is known to the State of California to cause cancer, and birth defects or other reproductive harm. For more information go to www.P65Warnings.ca.gov.



McGuire Manufacturing Co., Inc.

60 Grandview Court
Cheshire, Connecticut 06410
(203) 699-1801 Fax (203) 699-1813
customerservice@mcguiremfg.com mcguiremfg.com

PRODUCT SPECIFICATION

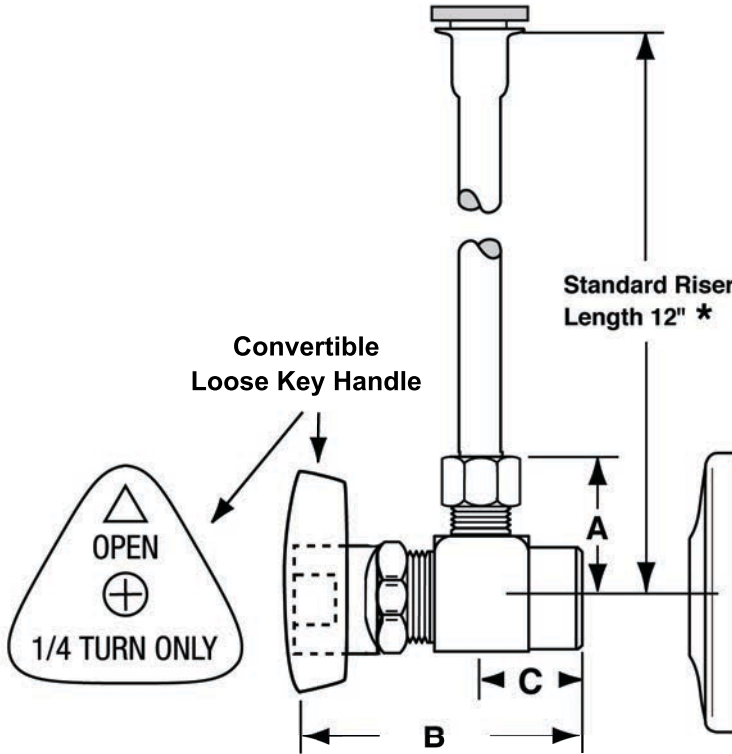
Part No.

LFBV166

Quarter-Turn Brass Ball
Valve Closet Supply
3/8" IPS x OD

Job Name:

Submittal Number:



NO.	DESCRIPTION	ROUGHING MEASUREMENTS		
		A	B	C
LFBV166	3/8" I.P.S. x 3/8" O.D.	1-3/8"	1-15/16"	1"



* See options and accessories section for details on product variations.

Specifications:

Supply kit shall include chrome plated, commercial pattern Quarter Turn Brass Ball Valve with convertible loose key handle, (chrome plated copper or stainless braided riser) and (shallow, deep, bell) (steel or brass) or (forged brass with set screw) flange. Inlet shall be 3/8" IPS. Outlet shall be 3/8" OD. Supply kit shall be McGuire _____. Supply kit shall be certified by recognized testing authority and bear manufacturer and testing mark.



WARNING:

This product can expose you to chemicals including lead, which is known to the State of California to cause cancer, and birth defects or other reproductive harm. For more information go to www.P65Warnings.ca.gov.



McGuire Manufacturing Co., Inc.

60 Grandview Court
 Cheshire, Connecticut 06410
 (203) 699-1801 Fax (203) 699-1813
 customerservice@mcguiremfg.com mcguiremfg.com

PRODUCT SPECIFICATION

Part No.

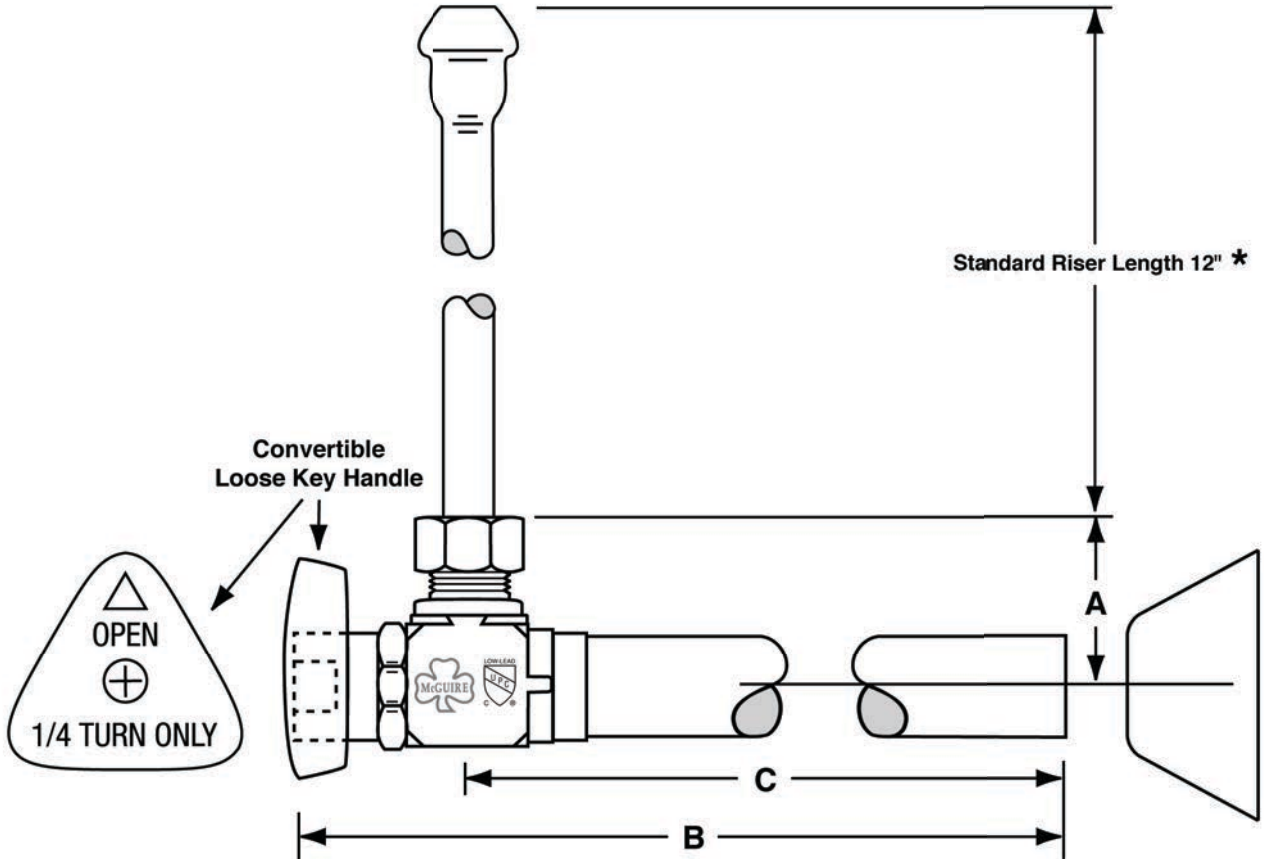
LFBV170

**Quarter-Turn Brass
 Ball Valve Lavatory Supply
 with 5" Extension**

Job Name: _____

Submittal Number: _____

Convertible™



NO.	DESCRIPTION	ROUGHING MEASUREMENTS		
		A	B	C
LFBV170	1/2" Copper Sweat w/5" Ext. x 3/8" O.D.	1-3/16"	6-3/4"	5-1/2"

* See options and accessories section for details on product variations.



Specifications:

Supply kit shall include lead free chrome plated, commercial pattern Quarter-Turn Brass Ball Valve with convertible loose key handle (chrome plated copper, or braided stainless steel risers) and (shallow, deep, bell) (steel or brass) or (forged brass with set screw) flange. Inlet shall be (1/2) inch (IPS, sweat, compression). Outlet shall be (3/8) inch (compression). Supply kit shall be McGuire _____. Supply kit shall be certified by recognized authority and bear manufacturer and testing mark.



WARNING:

This product can expose you to chemicals including lead, which is known to the State of California to cause cancer, and birth defects or other reproductive harm. For more information go to www.P65Warnings.ca.gov.



McGuire Manufacturing Co., Inc.

60 Grandview Court
 Cheshire, Connecticut 06410
 (203) 699-1801 Fax (203) 699-1813
 customerservice@mcguiremfg.com mcguiremfg.com

PRODUCT SPECIFICATION

Part No.

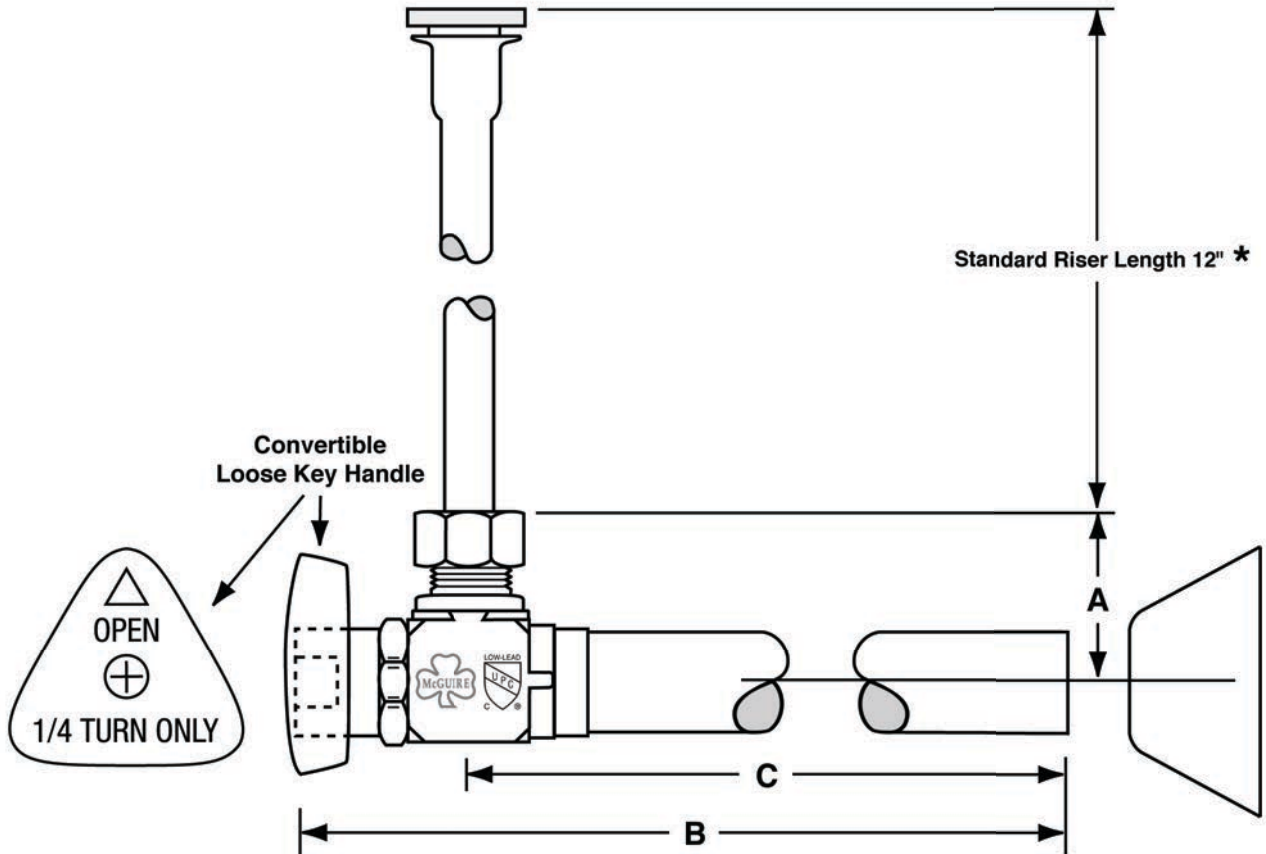
LFBV172

**Quarter-Turn Brass
 Ball Valve Closet Supply
 with 5" Extension**

Job Name:

Submittal Number:

Convertible™



NO.	DESCRIPTION	ROUGHING MEASUREMENTS		
		A	B	C
LFBV172	1/2" Sweat with 5" Ext. x 3/8" O.D.	1-3/16"	6-3/4"	5-1/2"



* See options and accessories section for details on product variations.

Specifications:

Supply kits shall include lead free chrome plated, commercial pattern Quarter-Turn Brass Ball Valve with convertible loose key handle, (chrome plated copper or braided stainless risers) and (shallow, deep, bell) (steel or brass) or (forged brass with set screw) flange. Inlet shall be (1/2) inch (IPS, sweat, compression). Outlet shall be (3/8) inch (compression). Supply kit shall be McGuire_____. Supply kit shall be certified by recognized authority and bear manufacturer and testing mark.



WARNING:

This product can expose you to chemicals including lead, which is known to the State of California to cause cancer, and birth defects or other reproductive harm. For more information go to www.P65Warnings.ca.gov.



McGuire Manufacturing Co., Inc.

60 Grandview Court
 Cheshire, Connecticut 06410
 (203) 699-1801 Fax (203) 699-1813
 customerservice@mcguiremfg.com mcguiremfg.com

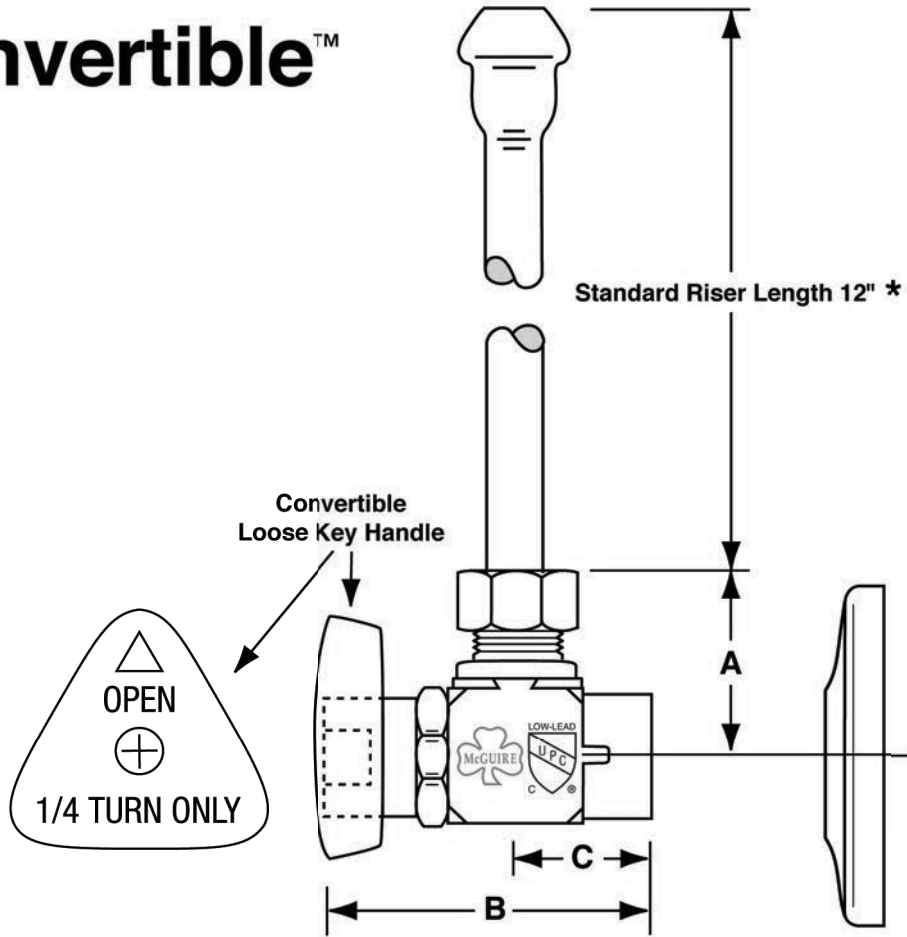
Part No.
LFBV175
Quarter-Turn Brass Ball Valve Lavatory Supply

PRODUCT SPECIFICATION

Job Name: _____

Submittal Number: _____

Convertible™



NO.	DESCRIPTION	ROUGHING MEASUREMENTS		
		A	B	C
LFBV175	1/2" Copper Sweat x 3/8" O.D.	1-3/16"	2-1/8"	13/16"



* See options and accessories section for details on product variations.

Specifications:

Supply kits shall include low lead chrome plated, commercial pattern Quarter-Turn Brass Ball Valve with convertible loose key handle, (chrome plated copper or braided stainless risers) and (shallow, deep, bell) (steel or brass) or (forged brass with set screw) flange. Inlet shall be (1/2) inch (IPS, sweat, compression). Outlet shall be (3/8) inch (compression). Supply kit shall be McGuire _____. Supply kit shall be low lead certified by recognized authority and bear manufacturer and testing mark.

! WARNING:

This product can expose you to chemicals including lead, which is known to the State of California to cause cancer, and birth defects or other reproductive harm. For more information go to www.P65Warnings.ca.gov.



McGuire Manufacturing Co., Inc.
 60 Grandview Court
 P.O. Box 746 • Cheshire, CT 06410
 203-699-1801 • Fax: 203-699-1813
 www.mcguiremfg.com

PRODUCT SPECIFICATION

Part No.

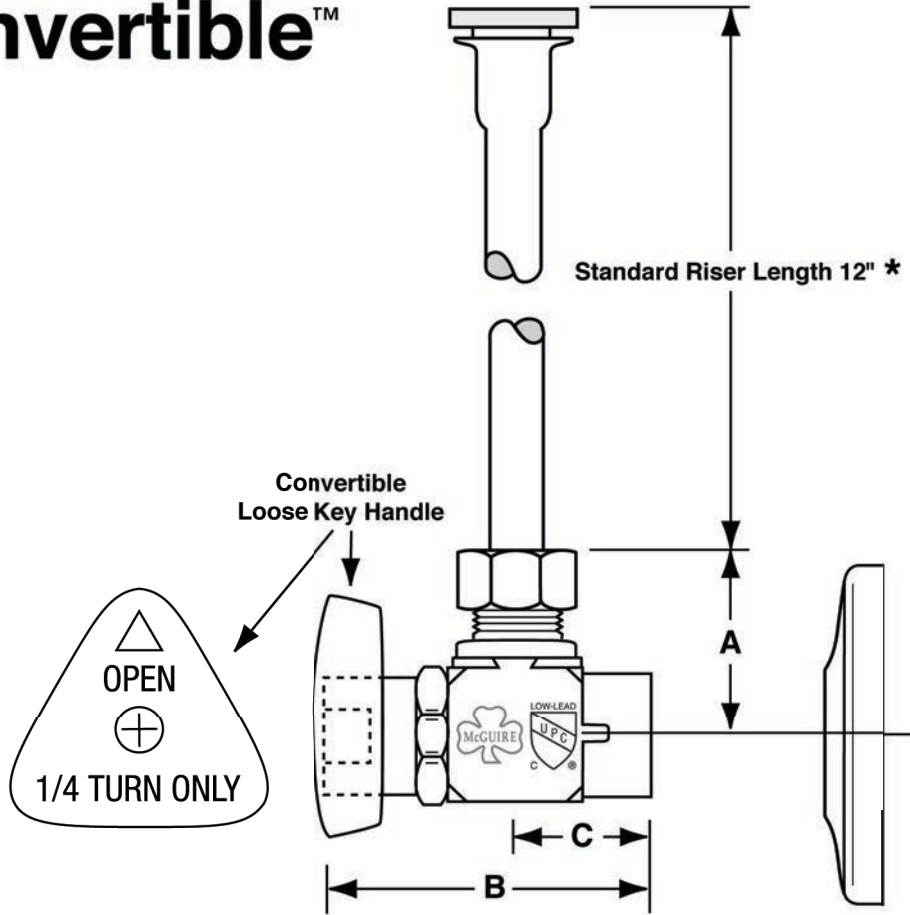
LFBV185

**Quarter-Turn Brass
 Ball Valve Closet Supply**

Job Name:

Submittal Number:

Convertible™



NO.	DESCRIPTION	ROUGHING MEASUREMENTS		
		A	B	C
LFBV185	1/2" Sweat x 3/8" O.D.	1-3/16"	2-1/8"	13/16"



* See options and accessories section for details on product variations.

Specifications:

Supply kits shall include lead free chrome plated, commercial pattern Quarter-Turn Brass Ball Valve with convertible loose key handle, (chrome plated copper or braided stainless risers) and (shallow, deep, bell) (steel or brass) or (forged brass with set screw) flange. Inlet shall be (1/2) inch (IPS, sweat, compression). Outlet shall be (3/8) inch (compression). Supply kit shall be McGuire _____ . Supply kit shall be certified by recognized authority and bear manufacturer and testing mark.



WARNING:

This product can expose you to chemicals including lead, which is known to the State of California to cause cancer, and birth defects or other reproductive harm. For more information go to www.P65Warnings.ca.gov.



McGuire Manufacturing Co., Inc.

60 Grandview Court
 Cheshire, Connecticut 06410
 (203) 699-1801 Fax (203) 699-1813
 customerservice@mcguiremfg.com mcguiremfg.com

PRODUCT SPECIFICATION

Part No.

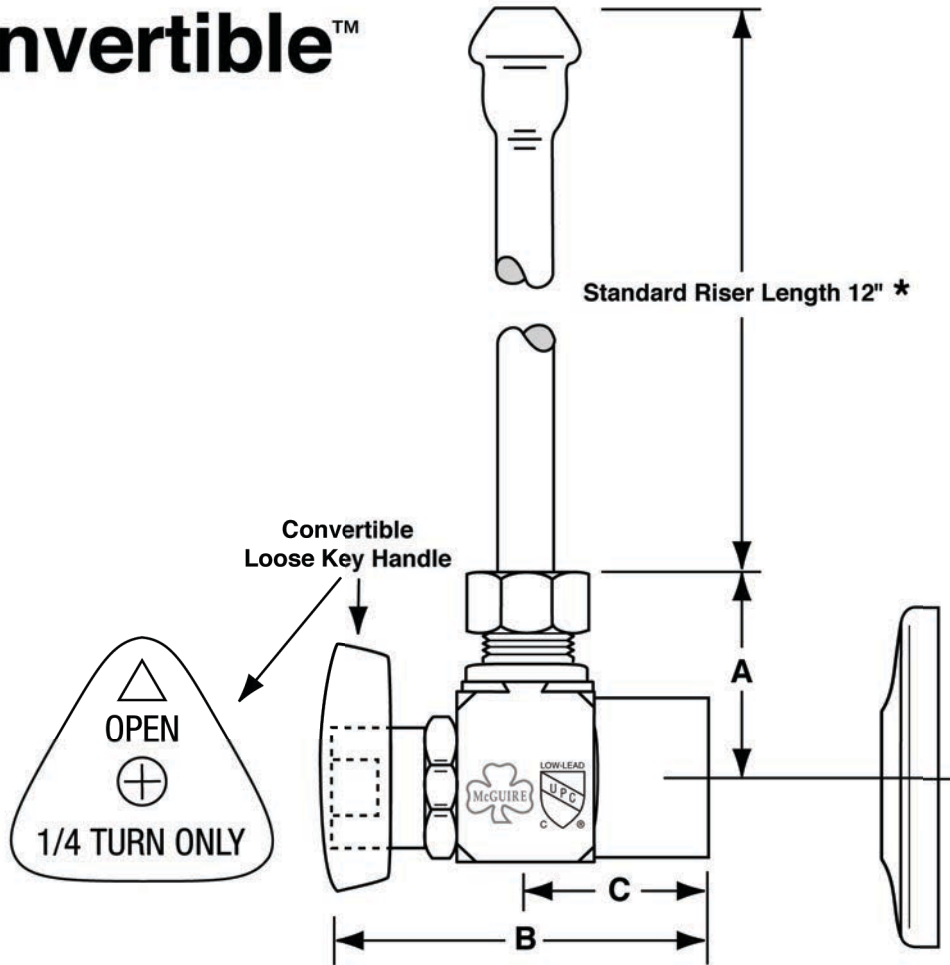
LFBV2165

**Quarter-Turn Brass
 Ball Valve Lavatory Supply**

Job Name:

Submittal Number:

Convertible™



NO.	DESCRIPTION	ROUGHING MEASUREMENTS		
		A	B	C
LFBV2165	1/2" I.P.S. x 3/8" O.D.	1-3/16"	2-3/16"	1"



* See options and accessories section for details on product variations.

Specifications:

Supply kits shall include lead free chrome plated, commercial pattern Quarter-Turn Brass Ball Valve with convertible loose key handle, (chrome plated copper or braided stainless risers) and (shallow, deep, bell) (steel or brass) or (forged brass with set screw) flange. Inlet shall be (1/2) inch (IPS, sweat, compression). Outlet shall be (3/8) inch (compression). Supply kit shall be McGuire _____ . Supply kit shall be certified by recognized authority and bear manufacturer and testing mark.



WARNING:

This product can expose you to chemicals including lead, which is known to the State of California to cause cancer, and birth defects or other reproductive harm. For more information go to www.P65Warnings.ca.gov.



McGuire Manufacturing Co., Inc.

60 Grandview Court
 Cheshire, Connecticut 06410
 (203) 699-1801 Fax (203) 699-1813
 customerservice@mcguiremfg.com mcguiremfg.com

Part No.

LFBV2165CC

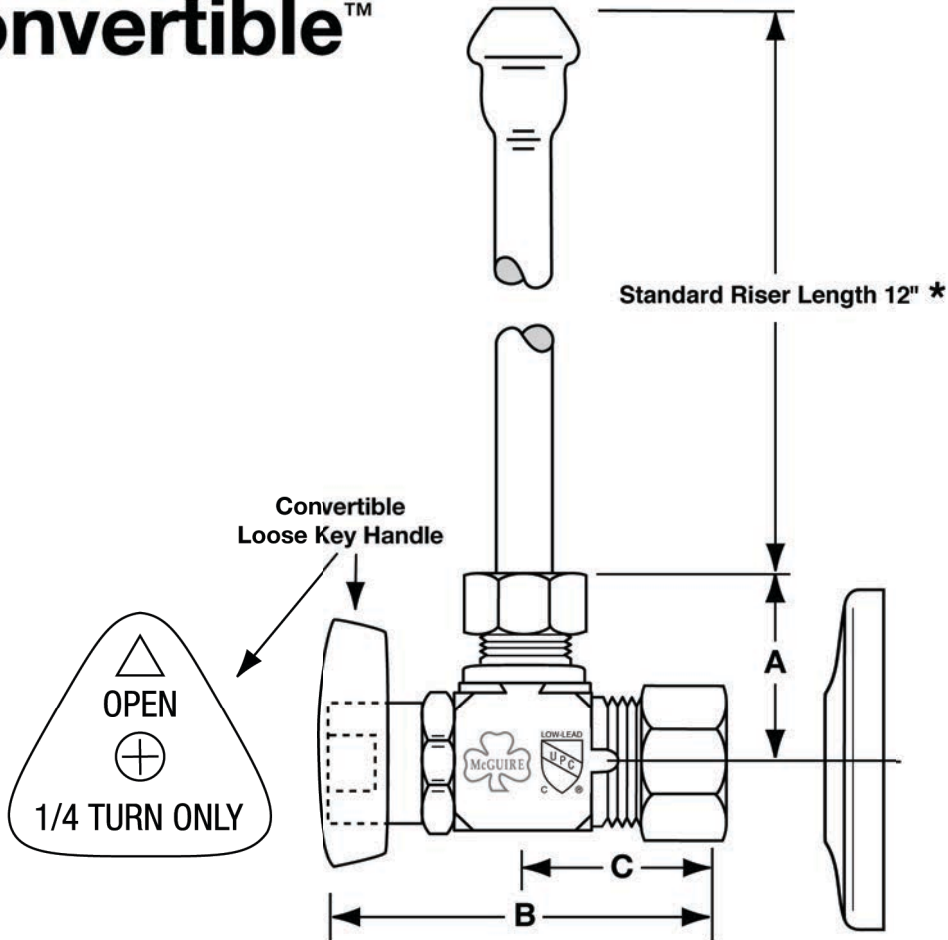
**Quarter-Turn Brass
 Ball Valve Lavatory Supply**

PRODUCT SPECIFICATION

Job Name: _____

Submittal Number: _____

Convertible™



NO.	DESCRIPTION	ROUGHING MEASUREMENTS		
		A	B	C
LFBV2165CC	1/2" Nominal x 3/8" O.D.	1-3/16"	2-1/2"	1-1/4"



* See options and accessories section for details on product variations.

Specifications:

Supply kit shall include lead free chrome plated, commercial pattern Quarter-Turn Brass Ball Valve with convertible loose key handle (chrome plated copper, or braided stainless steel risers) and (shallow, deep, bell) (steel or brass) or (forged brass with set screw) flange. Inlet shall be (1/2) inch (IPS, sweat, compression). Outlet shall be (3/8) inch (compression). Supply kit shall be McGuire _____. Supply kit shall be certified by recognized authority and bear manufacturer and testing mark.

! WARNING:

This product can expose you to chemicals including lead, which is known to the State of California to cause cancer, and birth defects or other reproductive harm. For more information go to www.P65Warnings.ca.gov.



McGuire Manufacturing Co., Inc.

60 Grandview Court

Cheshire, Connecticut 06410

(203) 699-1801 Fax (203) 699-1813

customerservice@mcguiremfg.com mcguiremfg.com

PRODUCT SPECIFICATION

Part No.

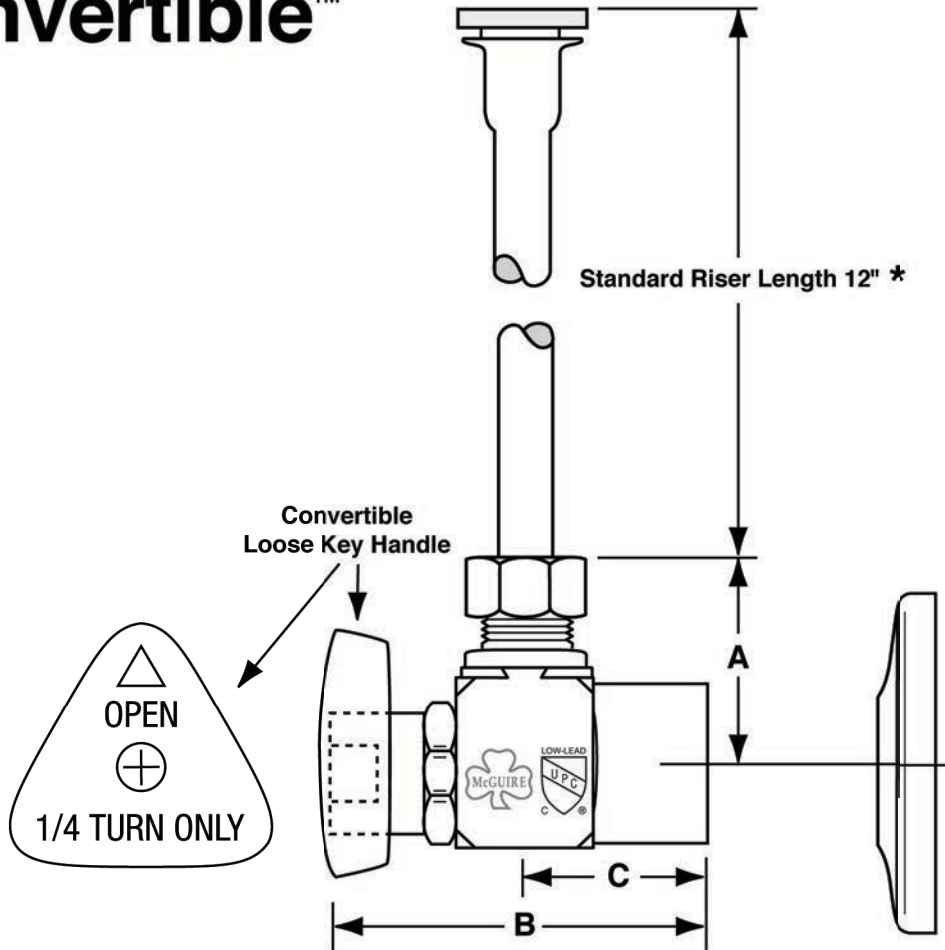
LFBV2166

**Quarter-Turn Brass
Ball Valve Closet Supply**

Job Name:

Submittal Number:

Convertible™



NO.	DESCRIPTION	ROUGHING MEASUREMENTS		
		A	B	C
LFBV2166	1/2" I.P.S. x 3/8" O.D.	1-3/16"	2-3/16"	1"



* See options and accessories section for details on product variations.

Specifications:

Supply kit shall include lead free chrome plated, commercial pattern Quarter-Turn Brass Ball Valve with convertible loose key handle (chrome plated copper, or braided stainless steel risers) and (shallow, deep, bell) (steel or brass) or (forged brass with set screw) flange. Inlet shall be (1/2) inch (IPS, sweat, compression). Outlet shall be (3/8) inch (compression). Supply kit shall be McGuire _____ . Supply kit shall be certified by recognized authority and bear manufacturer and testing mark.



WARNING:

This product can expose you to chemicals including lead, which is known to the State of California to cause cancer, and birth defects or other reproductive harm. For more information go to www.P65Warnings.ca.gov.



McGuire Manufacturing Co., Inc.

60 Grandview Court
 Cheshire, Connecticut 06410
 (203) 699-1801 Fax (203) 699-1813
 customerservice@mcguiremfg.com mcguiremfg.com

PRODUCT SPECIFICATION

Part No.

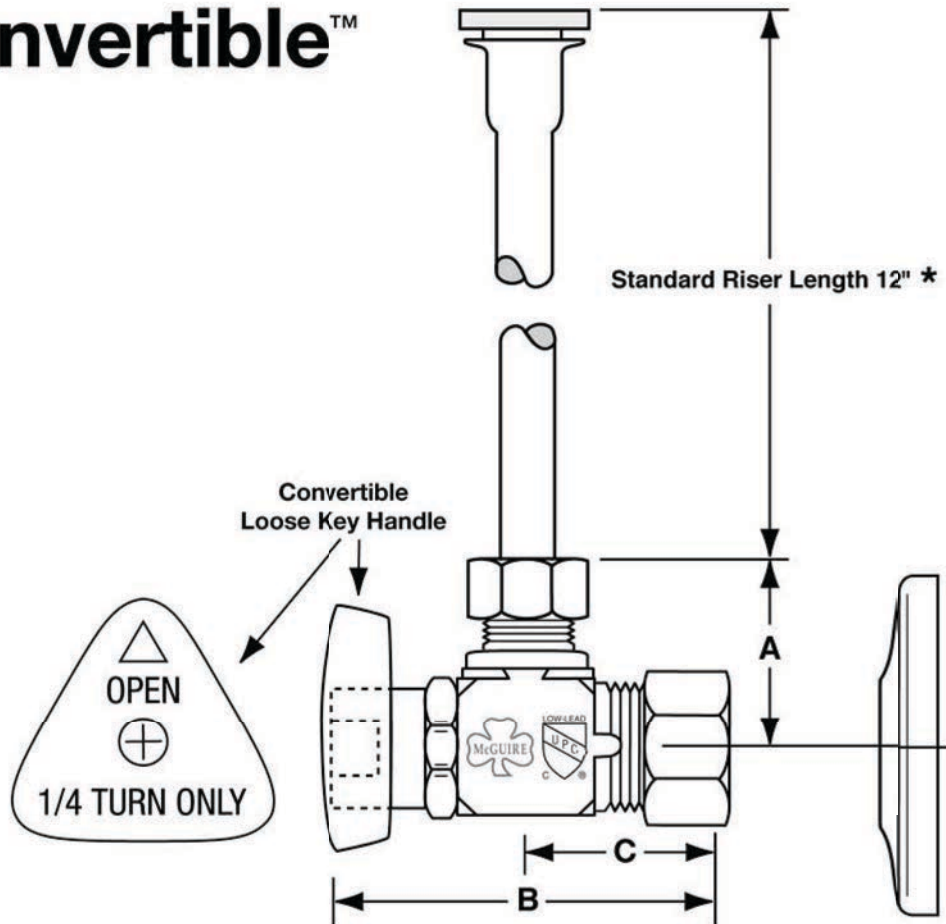
LFBV2166CC

**Quarter-Turn Brass
 Ball Valve Closet Supply**

Job Name:

Submittal Number:

Convertible™



NO.	DESCRIPTION	ROUGHING MEASUREMENTS		
		A	B	C
LFBV2166CC	1/2" Nominal x 3/8" O.D.	1-3/16"	2-1/2"	1-1/4"

* See options and accessories section for details on product variations.



Specifications:

Supply kit shall include lead free chrome plated, commercial pattern Quarter-Turn Brass Ball Valve with convertible loose key handle (chrome plated copper, or braided stainless steel risers) and (shallow, deep, bell) (steel or brass) or (forged brass with set screw) flange. Inlet shall be (1/2) inch (IPS, sweat, compression). Outlet shall be (3/8) inch (compression). Supply kit shall be McGuire _____ . Supply kit shall be certified by recognized authority and bear manufacturer and testing mark.



WARNING:

This product can expose you to chemicals including lead, which is known to the State of California to cause cancer, and birth defects or other reproductive harm. For more information go to www.P65Warnings.ca.gov.



McGuire Manufacturing Co., Inc.

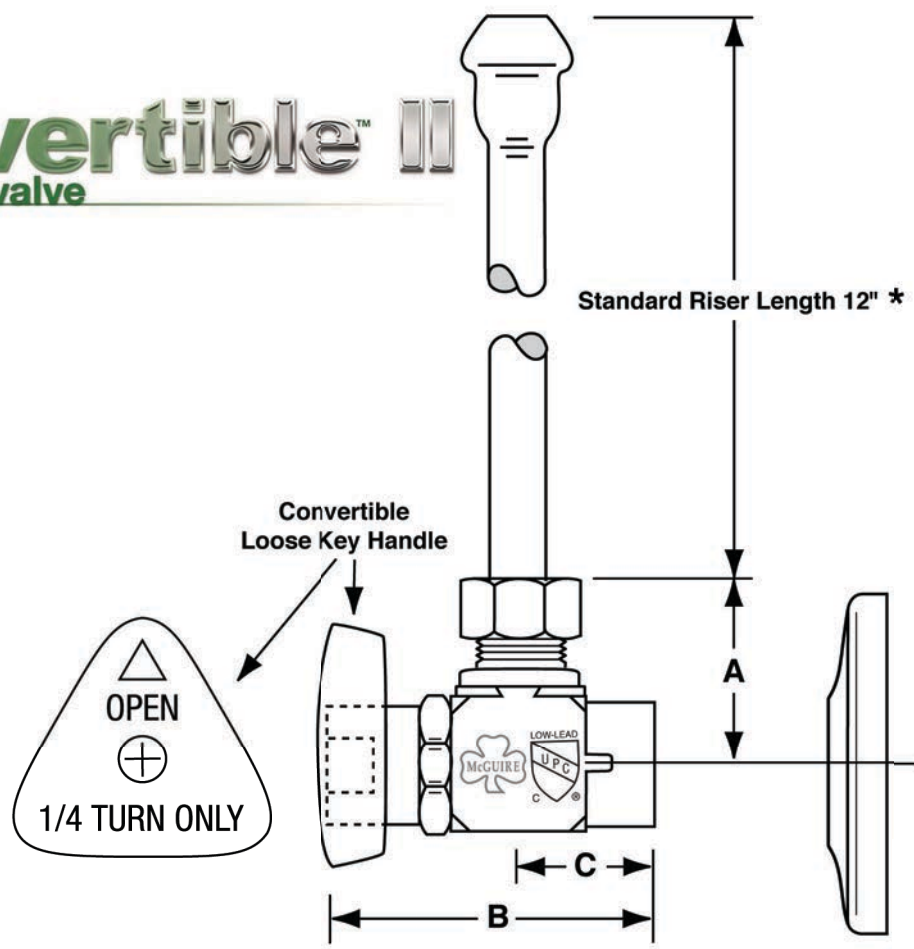
60 Grandview Court
 Cheshire, Connecticut 06410
 (203) 699-1801 Fax (203) 699-1813
 customerservice@mcguiremfg.com mcguiremfg.com

Part No.
LFBV2-175
Quarter-Turn Brass
Ball Valve Lavatory Supply

PRODUCT SPECIFICATION

Job Name: _____ **Submittal Number:** _____

convertible II
 ball valve



NO.	DESCRIPTION	Roughing Measurements		
		A	B	C
LFBV2-175	1/2" Copper Sweat x 3/8" O.D.	1-1/4"	2-1/4"	13/16"



* See options and accessories section for details on product variations.

Specifications:

Supply kits shall include low lead chrome plated, commercial pattern Quarter-Turn Brass Ball Valve with convertible loose key handle, (chrome plated copper or braided stainless risers) and (shallow, deep, bell) (steel or brass) or (forged brass with set screw) flange. Inlet shall be (1/2) inch (IPS, sweat, compression). Outlet shall be (3/8) inch (compression). Supply kit shall be McGuire _____. Supply kit shall be low lead certified by recognized authority and bear manufacturer and testing mark.

WARNING:

This product can expose you to chemicals including lead, which is known to the State of California to cause cancer, and birth defects or other reproductive harm. For more information go to www.P65Warnings.ca.gov.



McGuire Manufacturing Co., Inc.

60 Grandview Court
Cheshire, Connecticut 06410
(203) 699-1801 Fax (203) 699-1813
customerservice@mcguiremfg.com mcguiremfg.com

PRODUCT SPECIFICATION

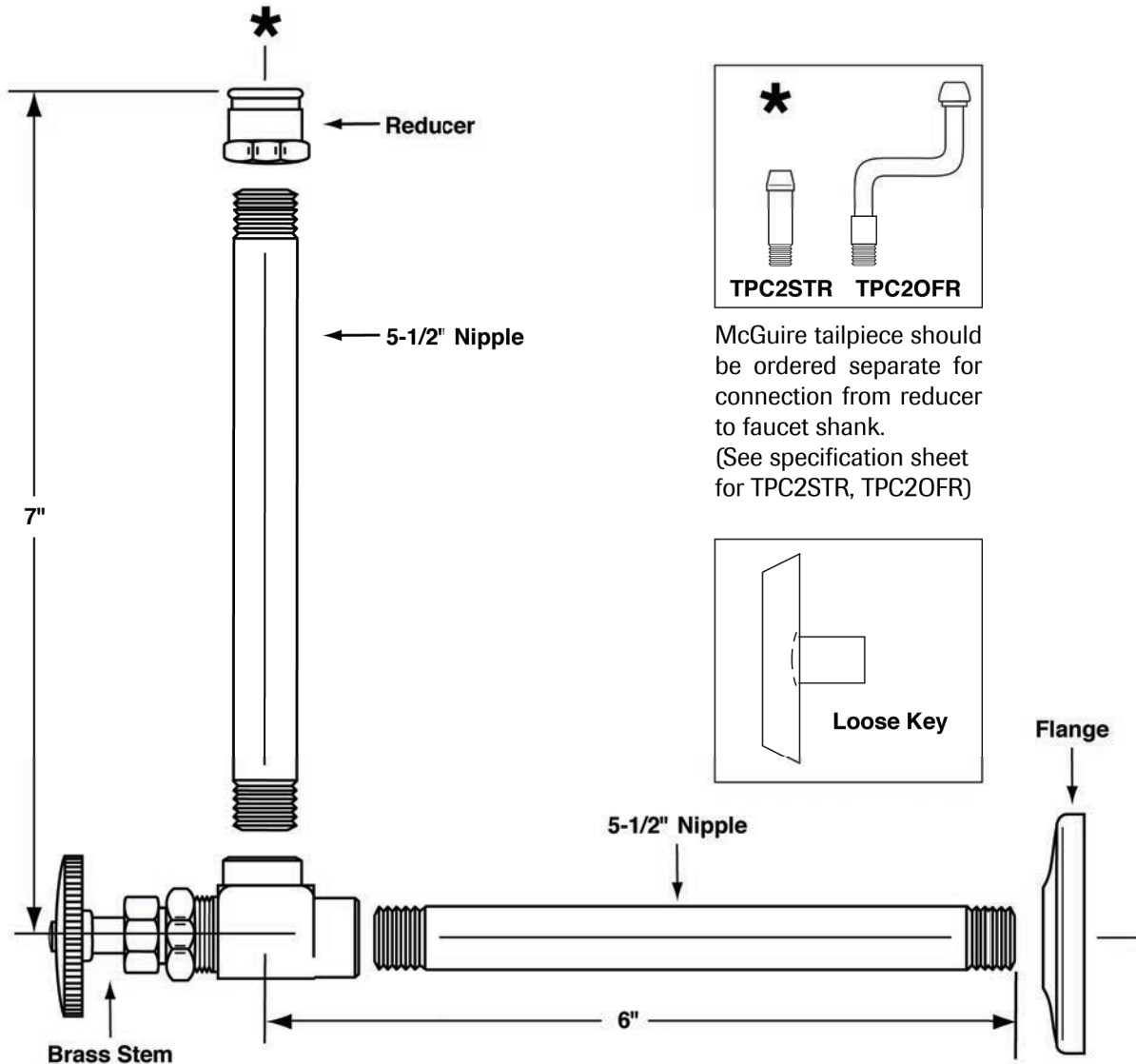
Part No.

LFH158, LFH158LK

**Heavy Rigid Lavatory
Supply 3/8" I.P.S.**

Job Name:

Submittal Number:



McGuire tailpiece should be ordered separate for connection from reducer to faucet shank.
(See specification sheet for TPC2STR, TPC2OFR)

LK designates Loose Key

See options and accessories section for details on product variations.



Specifications:

Rigid supply kit shall include lead free chrome plated brass stops with threaded connections, stuffing box, full turn brass stem, no plastic, cast brass nipples, cast brass reducer and (steel, brass) or (forged brass with set screw) flange. Inlet shall be 3/8 inch IPS. Outlet shall be 3/8 inch IPS. Supply kit shall be McGuire _____ . Supply kit shall be certified by recognized testing authority and shall bear manufacturer and testing mark.



WARNING:

This product can expose you to chemicals including lead, which is known to the State of California to cause cancer, and birth defects or other reproductive harm. For more information go to www.P65Warnings.ca.gov.



McGuire Manufacturing Co., Inc.

60 Grandview Court
Cheshire, Connecticut 06410
(203) 699-1801 Fax (203) 699-1813
customerservice@mcguiremfg.com mcguiremfg.com

Part No.

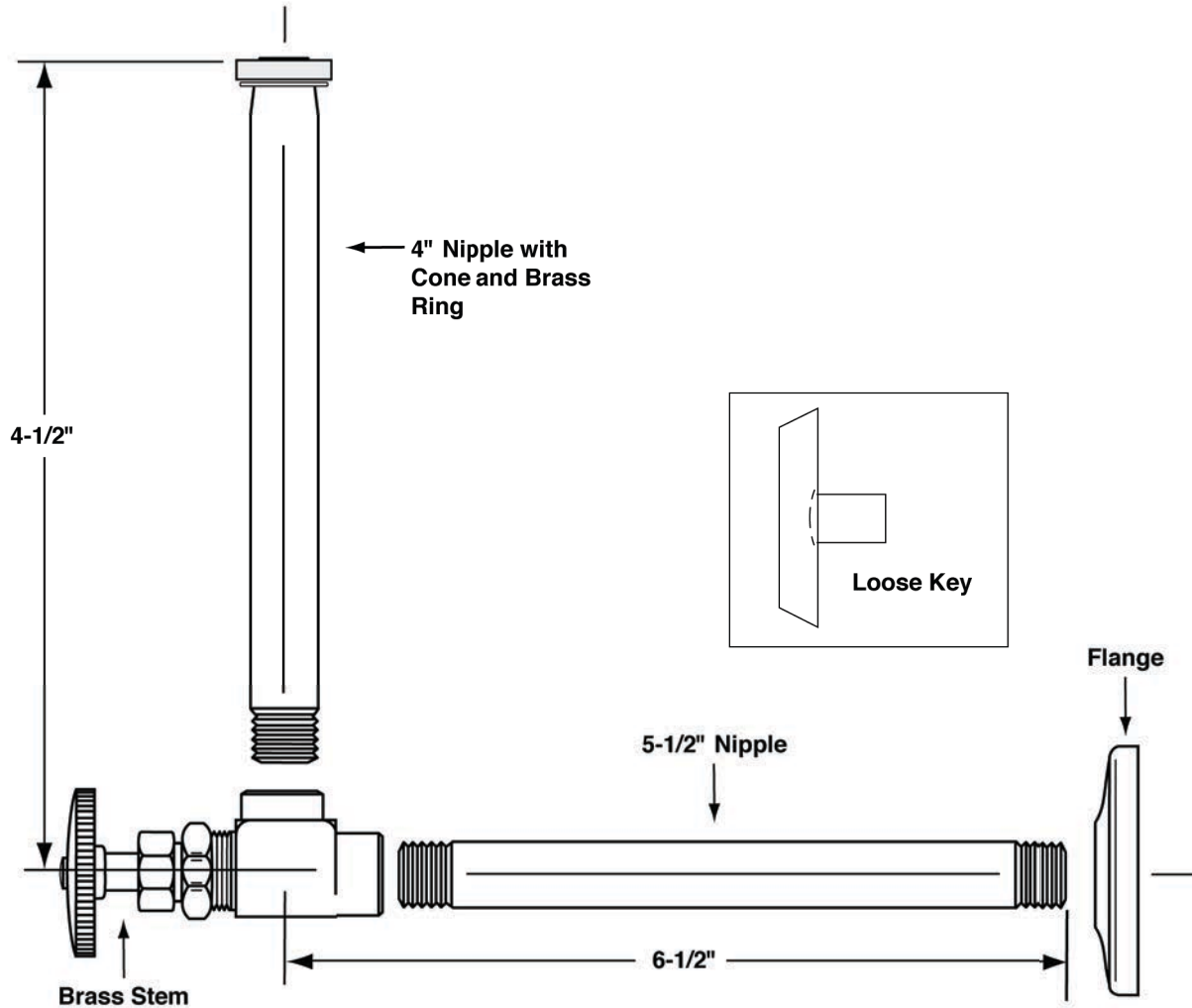
LFH159, LFH159LK

**Heavy Rigid Closet
Supply 3/8" I.P.S.**

PRODUCT SPECIFICATION

Job Name: _____

Submittal Number: _____



LK designates Loose Key

See options and accessories section for details on product variations.



Specifications:

Rigid supply kit shall include lead free chrome plated brass stops with threaded connections, stuffing box, full turn brass stem, no plastic, cast brass nipples, cast brass reducer and (steel, brass) or (forged brass with set screw) flange. Inlet shall be 3/8 inch IPS. Outlet shall be 3/8 inch IPS. Supply kit shall be McGuire _____. Supply kit shall be certified by recognized testing authority and shall bear manufacturer and testing mark.



WARNING:

This product can expose you to chemicals including lead, which is known to the State of California to cause cancer, and birth defects or other reproductive harm. For more information go to www.P65Warnings.ca.gov.



McGuire Manufacturing Co., Inc.

60 Grandview Court
 Cheshire, Connecticut 06410
 (203) 699-1801 Fax (203) 699-1813
 customerservice@mcguiremfg.com mcguiremfg.com

PRODUCT SPECIFICATION

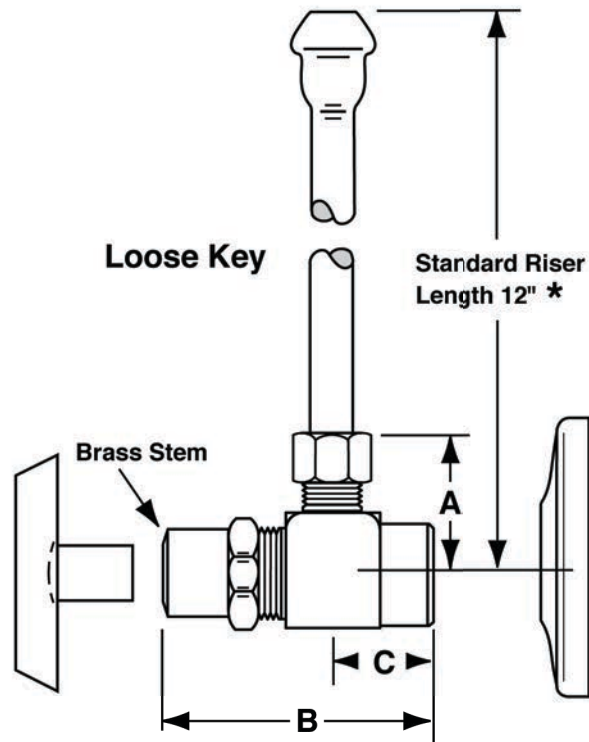
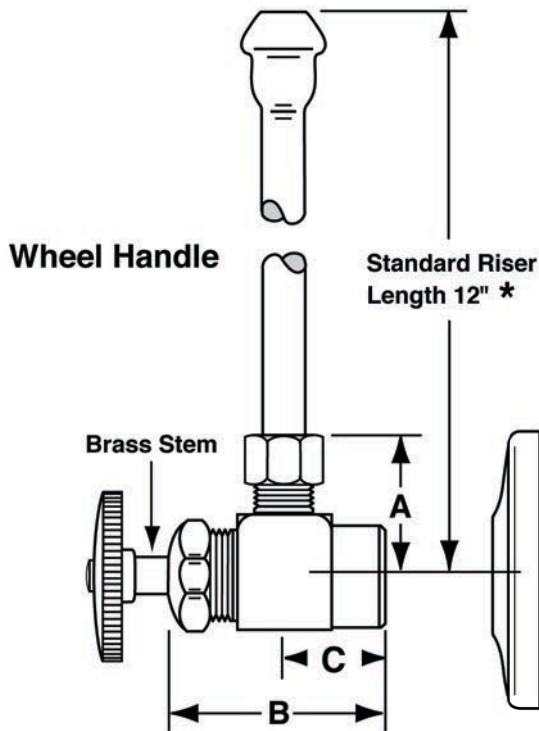
Part No.

**LFH165, LFH165LK,
 LFH167, LFH167LK**

**Heavy Lavatory Supply
 3/8" I.P.S. x O.D.**

Job Name: _____

Submittal Number: _____



NO.	DESCRIPTION	ROUGHING MEASUREMENTS		
		A	B	C
LFH165	3/8" I.P.S. x 3/8" O.D.	1-3/8"	1-15/16"	1"
LFH165LK	3/8" I.P.S. x 3/8" O.D.	1-3/8"	2-7/16"	1"
LFH167	3/8" I.P.S. x 1/2" O.D.	1-3/8"	1-15/16"	1"
LFH167LK	3/8" I.P.S. x 1/2" O.D.	1-3/8"	2-7/16"	1"

LK designates Loose Key

* See options and accessories section for details on product variations.



Specifications:

Supply kit shall include lead free heavy pattern chrome plated supply stop valves with full turn brass stem, no plastic, (12, 15, 20) inch chrome plated risers and (shallow, deep, bell) (steel, brass) or (forged brass with set screw) flange. Inlet shall be 3/8 inch IPS. Outlet shall be 3/8 inch compression. Supply kit shall be McGuire _____ . Supply shall be certified by recognized authority and bear manufacturer and testing mark.

! WARNING:

This product can expose you to chemicals including lead, which is known to the State of California to cause cancer, and birth defects or other reproductive harm. For more information go to www.P65Warnings.ca.gov.



McGuire Manufacturing Co., Inc.

60 Grandview Court

Cheshire, Connecticut 06410

(203) 699-1801 Fax (203) 699-1813

customerservice@mcguiremfg.com mcguiremfg.com

PRODUCT SPECIFICATION

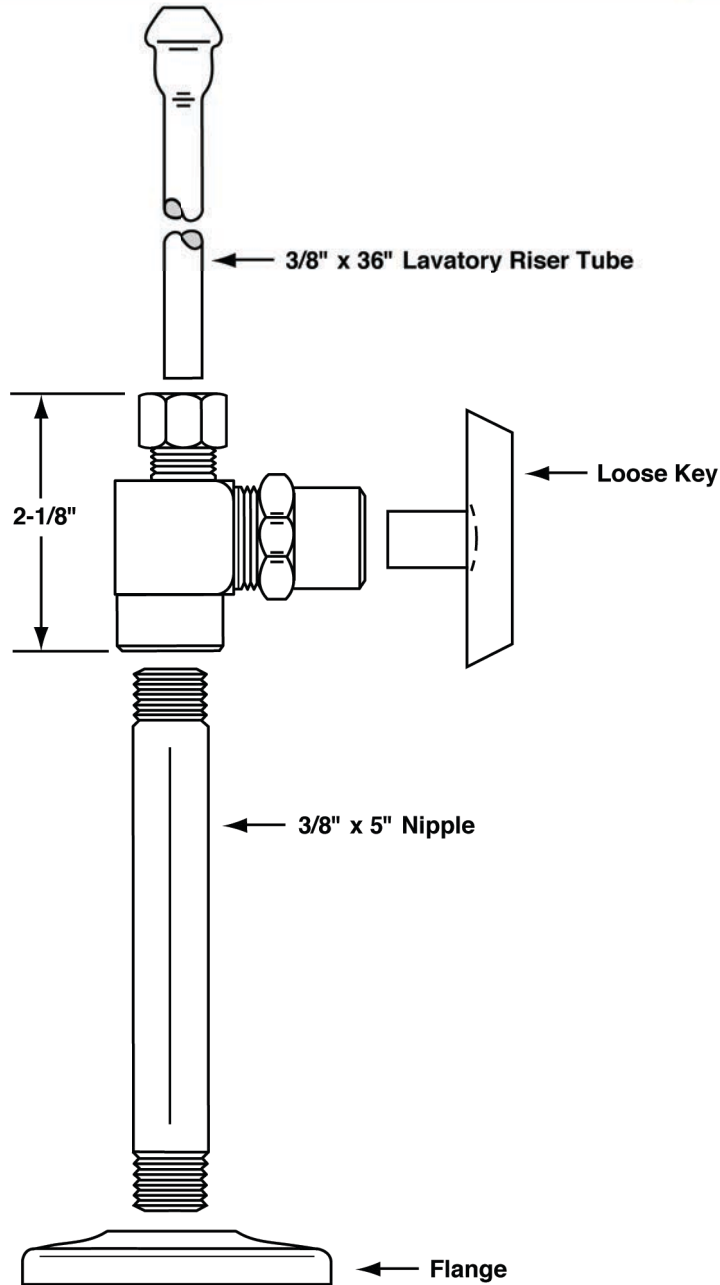
Part No.

LFH165LKHCASPL

**Hospital Rigid
Lavatory Supply**

Job Name:

Submittal Number:



See options and accessories section for details on product variations.

Specifications:

Hospital Rigid Supply Kit shall include 3/8 inch chrome plated heavy duty brass stop with full turn brass stem, no plastic, chrome plated cast brass nipples, chrome plated flexible copper riser and (steel, brass) or (forged brass with set screw) flange. Supply kit shall be McGuire _____ . Supply kit shall be certified by CSA or other recognized testing authority and shall bear manufacturer and testing mark. Stop to be certified to 200 psi line pressure.

WARNING:

This product can expose you to chemicals including lead, which is known to the State of California to cause cancer, and birth defects or other reproductive harm. For more information go to www.P6Warnings.ca.gov.



McGuire Manufacturing Co., Inc.

60 Grandview Court
 Cheshire, Connecticut 06410
 (203) 699-1801 Fax (203) 699-1813
 customerservice@mcguiremfg.com mcguiremfg.com

PRODUCT SPECIFICATION

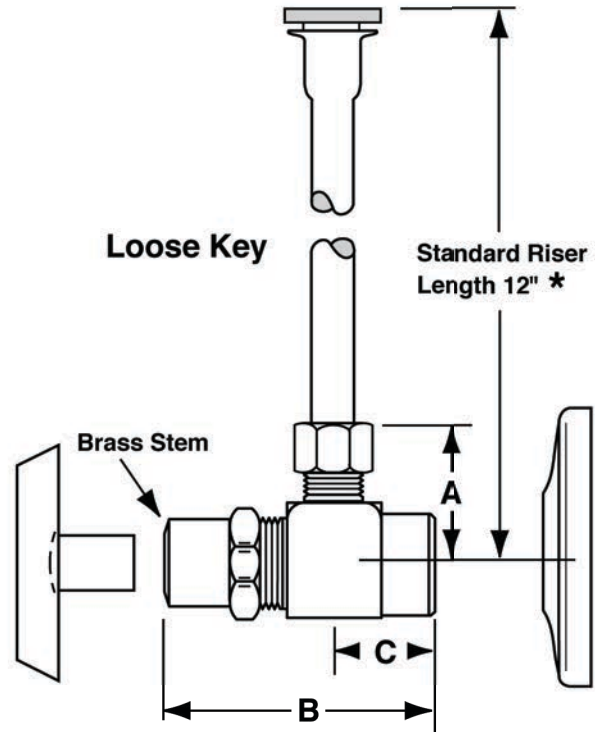
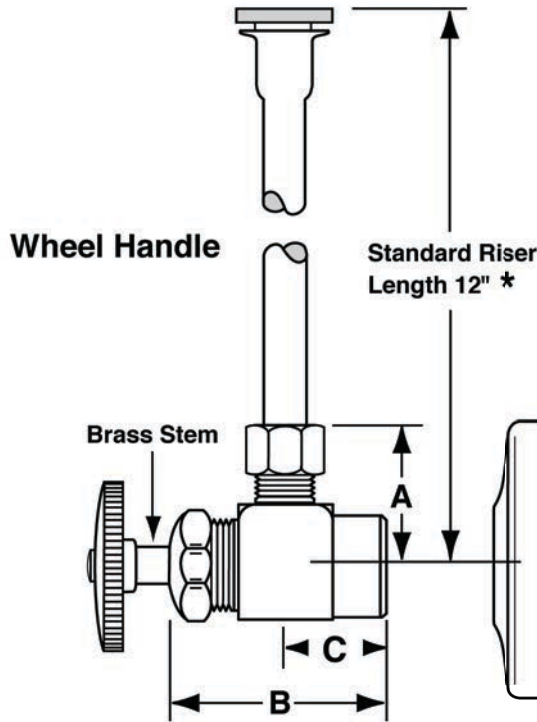
Part No.

**LFH166, LFH166LK,
 LFH169, LFH169LK**

**Heavy Closet Supply
 3/8" I.P.S. x O.D.**

Job Name: _____

Submittal Number: _____



NO.	DESCRIPTION	ROUGHING MEASUREMENTS		
		A	B	C
LFH166	3/8" I.P.S. x 3/8" O.D.	1-3/8"	1-15/16"	1"
LFH166LK	3/8" I.P.S. x 3/8" O.D.	1-3/8"	2-7/16"	1"
LFH169	3/8" I.P.S. x 1/2" O.D.	1-3/8"	1-15/16"	1"
LFH169LK	3/8" I.P.S. x 1/2" O.D.	1-3/8"	2-7/16"	1"



LK designates Loose Key

* See options and accessories section for details on product variations.

Specifications:

Supply kit shall include lead free chrome plated heavy pattern brass supply stop valves with full turn brass stem, no plastic, (12, 15, 20) inch chrome plated risers and (shallow, deep, bell) (steel, brass) or (forged brass with set screw) flange. Inlet shall be (3/8, 1/2) inch (IPS, sweat, compression). Outlet shall be (3/8, 1/2) inch (IPS, compression). Supply kit shall be McGuire _____. Supply kit shall be certified by recognized authority and bear manufacturer and testing mark.



WARNING:

This product can expose you to chemicals including lead, which is known to the State of California to cause cancer, and birth defects or other reproductive harm. For more information go to www.P65Warnings.ca.gov.



McGuire Manufacturing Co., Inc.

60 Grandview Court
 Cheshire, Connecticut 06410
 (203) 699-1801 Fax (203) 699-1813
 customerservice@mcguiremfg.com mcguiremfg.com

Part No.

**LFH170, LFH170LK,
 LFH171, LFH171LK**

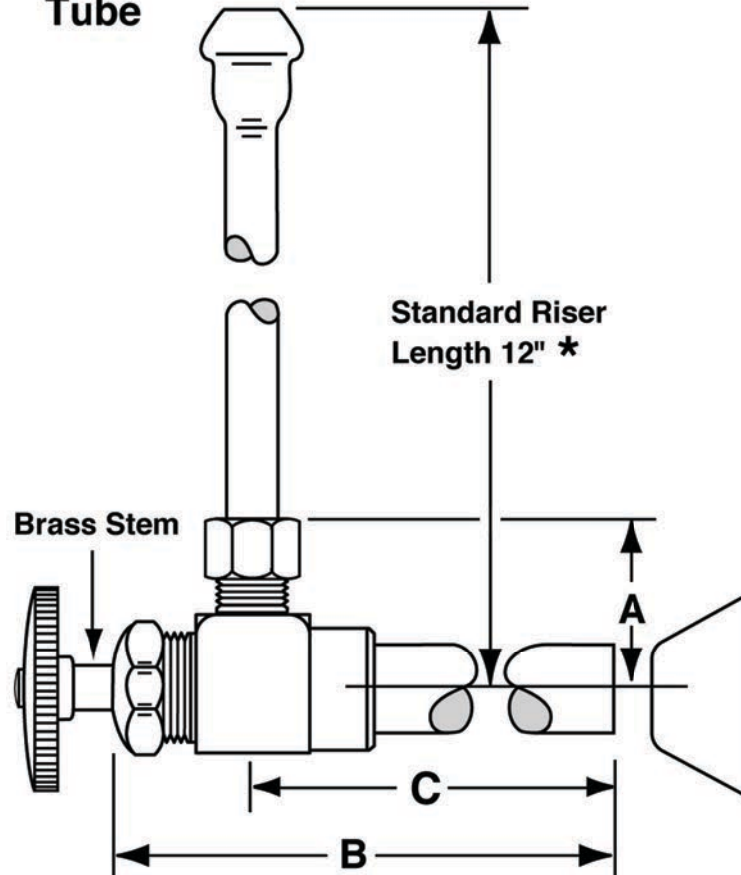
**Heavy Sweat Lavatory
 Supply w/5" Extension**

PRODUCT SPECIFICATION

Job Name:

Submittal Number:

**Wheel Handle
 w/ 5" Extension
 Tube**



NO.	DESCRIPTION	ROUGHING MEASUREMENTS		
		A	B	C
LFH170	1/2" Sweat x 3/8" O.D.	1"	6-1/4"	5-1/2"
LFH170LK	1/2" Sweat x 3/8" O.D.	1"	7"	5-1/2"
LFH171	1/2" Sweat x 1/2" O.D.	1"	6-1/4"	5-1/2"
LFH171LK	1/2" Sweat x 1/2" O.D.	1"	7"	5-1/2"

LK designates *Loose Key*

* See options and accessories section for details on product variations.



Specifications:

Supply kit shall include lead free chrome plated heavy pattern brass supply stop valves with full turn brass stem, no plastic, (12, 15, 20) inch chrome plated risers and (shallow, deep, bell) (steel, brass) or (forged brass with set screw) flange. Inlet shall be 1/2 inch (IPS, sweat, compression). Outlet shall be 3/8 inch (IPS, compression). Supply kit shall be McGuire _____. Supply shall be certified by recognized authority and bear manufacturer and testing mark.



WARNING:

This product can expose you to chemicals including lead, which is known to the State of California to cause cancer, and birth defects or other reproductive harm. For more information go to www.P65Warnings.ca.gov.



McGuire Manufacturing Co., Inc.

60 Grandview Court
 P.O. Box 746 • Cheshire, CT 06410
 203-699-1801 • Fax: 203-699-1813
 www.mcguiremfg.com

PRODUCT SPECIFICATION

Part No.

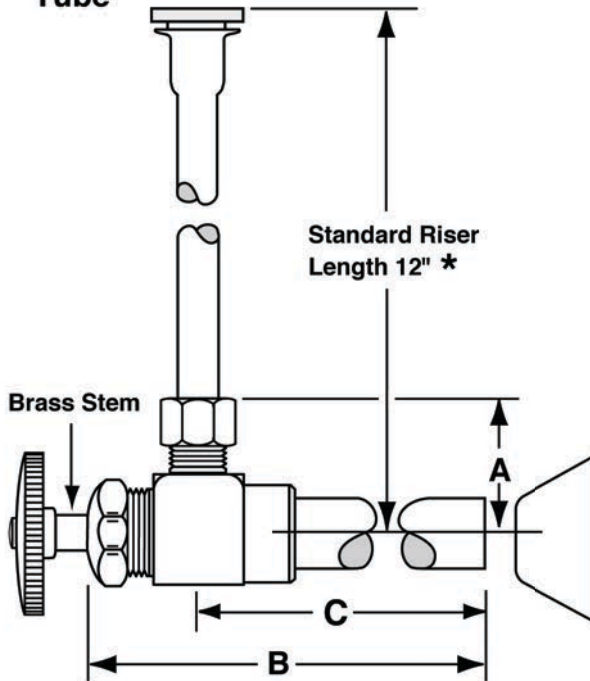
LFH172, LFH172LK,
 LFH173, LFH173LK

**Heavy Sweat Closet
 Supply w/ 5" Extension**

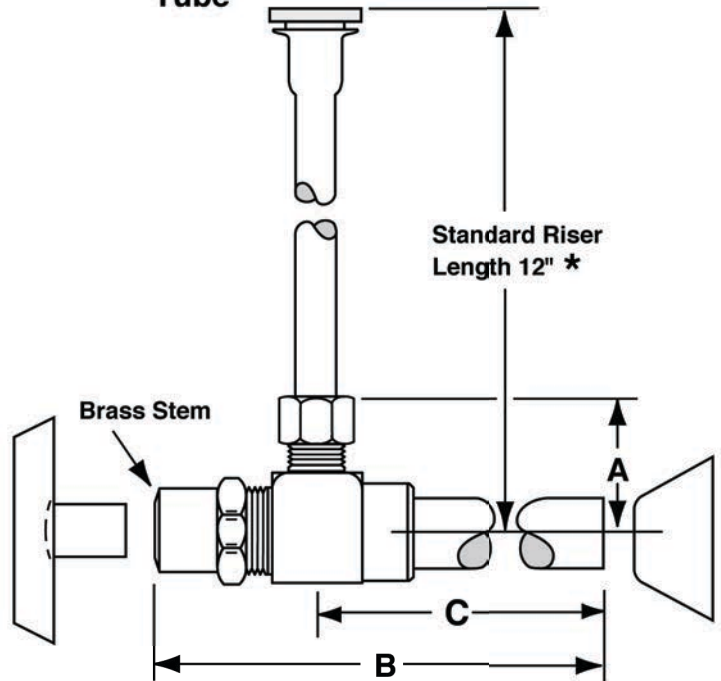
Job Name: _____

Submittal Number: _____

**Wheel Handle
 w/ 5" Extension
 Tube**



**Loose Key
 w/ 5" Extension
 Tube**



NO.	DESCRIPTION	ROUGHING MEASUREMENTS		
		A	B	C
LFH172	1/2" Sweat x 3/8" O.D.	1-3/8"	6-7/8"	5-3/4"
LFH172LK	1/2" Sweat x 3/8" O.D.	1-3/8"	7-7/16"	5-3/4"
LFH173	1/2" Sweat x 1/2" O.D.	1-3/8"	6-7/8"	5-3/4"
LFH173LK	1/2" Sweat x 1/2" O.D.	1-3/8"	7-7/16"	5-3/4"

LK designates Loose Key

* See options and accessories section for details on product variations.



Specifications:

Supply kit shall include lead free chrome plated heavy pattern brass stops with full turn brass stem, no plastic (12, 15, 20) inch chrome plated copper risers and (shallow, deep, bell) (steel or brass) or (forged brass with set screw) flange. Inlet shall be (3/8, 1/2) inch (IPS, sweat, compression). Outlet shall be (3/8, 1/2) inch (IPS, compression). Supply kit shall be McGuire _____. Supply kit shall be certified by recognized authority and bear manufacturer and testing mark.



WARNING:

This product can expose you to chemicals including lead, which is known to the State of California to cause cancer, and birth defects or other reproductive harm. For more information go to www.P65Warnings.ca.gov.



McGuire Manufacturing Co., Inc.

60 Grandview Court
 Cheshire, Connecticut 06410
 (203) 699-1801 Fax (203) 699-1813
 customerservice@mcguiremfg.com mcguiremfg.com

PRODUCT SPECIFICATION

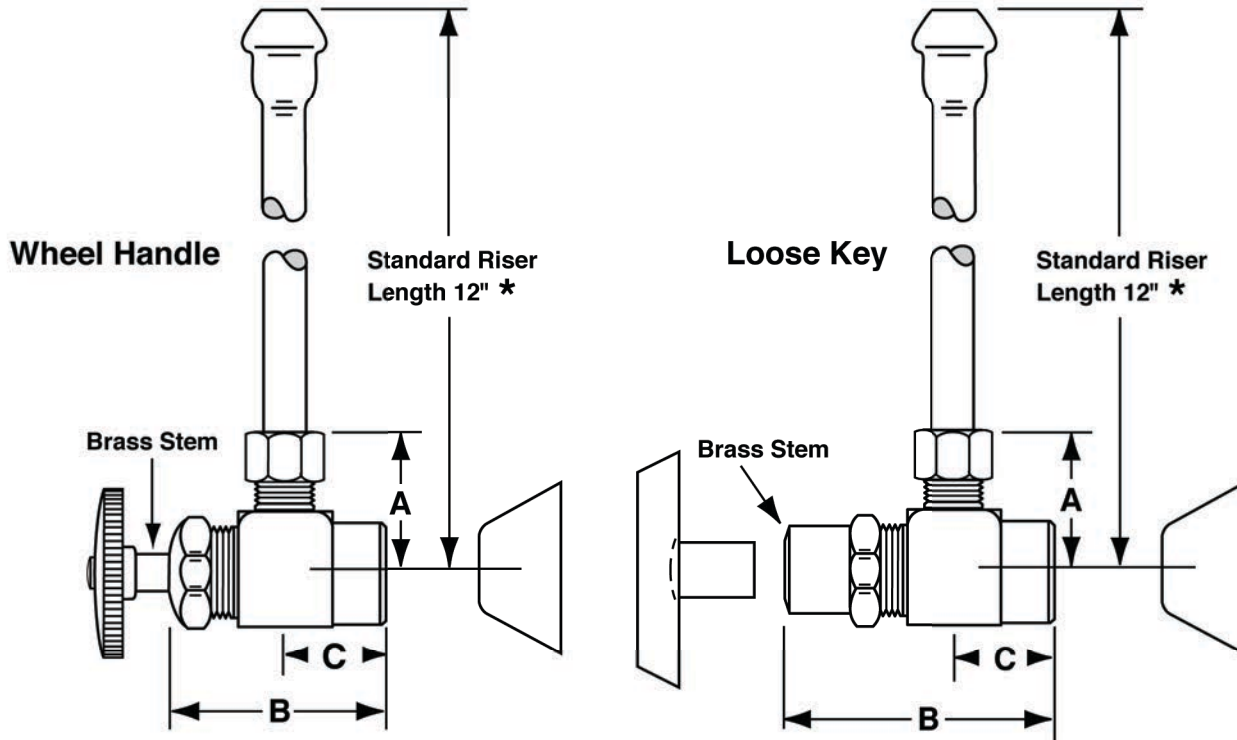
Part No.

LFH175, LFH175LK

Sweat Lavatory Supply

Job Name:

Submittal Number:



NO.	DESCRIPTION	ROUGHING MEASUREMENTS		
		A	B	C
LFH175	1/2" Sweat x 3/8" O.D.	1-3/8"	2"	1"
LFH175LK	1/2" Sweat x 3/8" O.D.	1-3/8"	2-7/16"	1"

LK designates *Loose Key*

* See options and accessories section for details on product variations.



Specifications:

Supply kit shall include lead free chrome plated heavy pattern supply stop valves with full turn brass stem, no plastic, (12, 15, 20) inch chrome plated risers and (shallow, deep, bell) (steel, brass) or (forged brass with set screw) flange. Inlet shall be 1/2 inch sweat. Outlet shall be 3/8 inch compression. Supply kit shall be McGuire _____ . Supply shall be certified by recognized authority and bear manufacturer and testing mark.



WARNING:

This product can expose you to chemicals including lead, which is known to the State of California to cause cancer, and birth defects or other reproductive harm. For more information go to www.P65Warnings.ca.gov.



McGuire Manufacturing Co., Inc.

60 Grandview Court
 P.O. Box 746 • Cheshire, CT 06410
 203-699-1801 • Fax: 203-699-1813
 www.mcguiremfg.com

PRODUCT SPECIFICATION

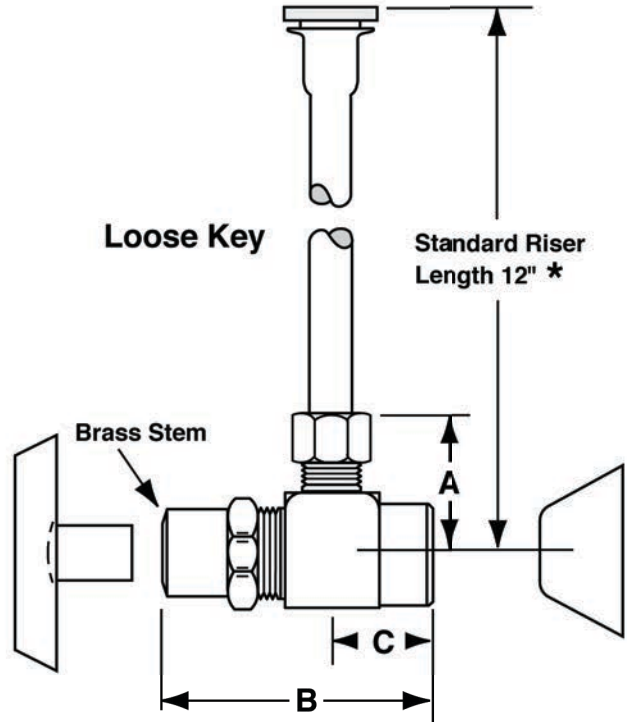
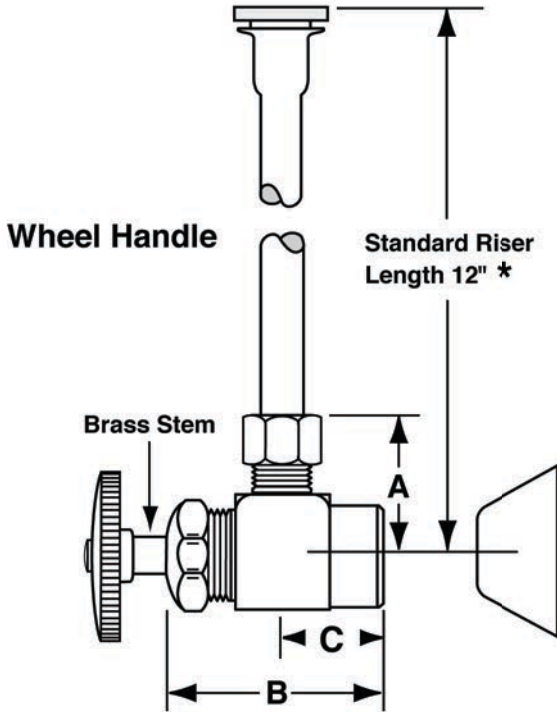
Part No.

LFH185, LFH185LK

**Heavy Sweat
 Closet Supply**

Job Name:

Submittal Number:



NO.	DESCRIPTION	ROUGHING MEASUREMENTS		
		A	B	C
LFH185	1/2" Sweat x 3/8" O.D.	1-3/8"	2"	1"
LFH185LK	1/2" Sweat x 3/8" O.D.	1-3/8"	2-7/16"	1"

LK designates Loose Key

* See options and accessories section for details on product variations.



Specifications:

Supply kit shall include lead free chrome plated heavy pattern brass supply stop valves with full turn brass stem, no plastic, (12, 15, 20) inch chrome plated risers and (shallow, deep, bell) (steel, brass) or (forged brass with set screw) flange. Inlet shall be (3/8, 1/2) inch (IPS, sweat, compression). Outlet shall be (3/8, 1/2) inch (IPS, compression). Supply kit shall be McGuire _____. Supply kit shall be certified by recognized authority and bear manufacturer and testing mark.



WARNING:

This product can expose you to chemicals including lead, which is known to the State of California to cause cancer, and birth defects or other reproductive harm. For more information go to www.P65Warnings.ca.gov.



McGuire Manufacturing Co., Inc.

60 Grandview Court
Cheshire, Connecticut 06410
(203) 699-1801 Fax (203) 699-1813
customerservice@mcguiremfg.com mcguiremfg.com

Part No.

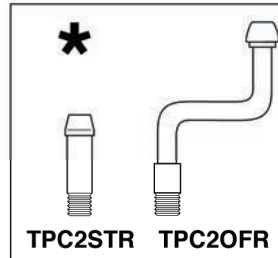
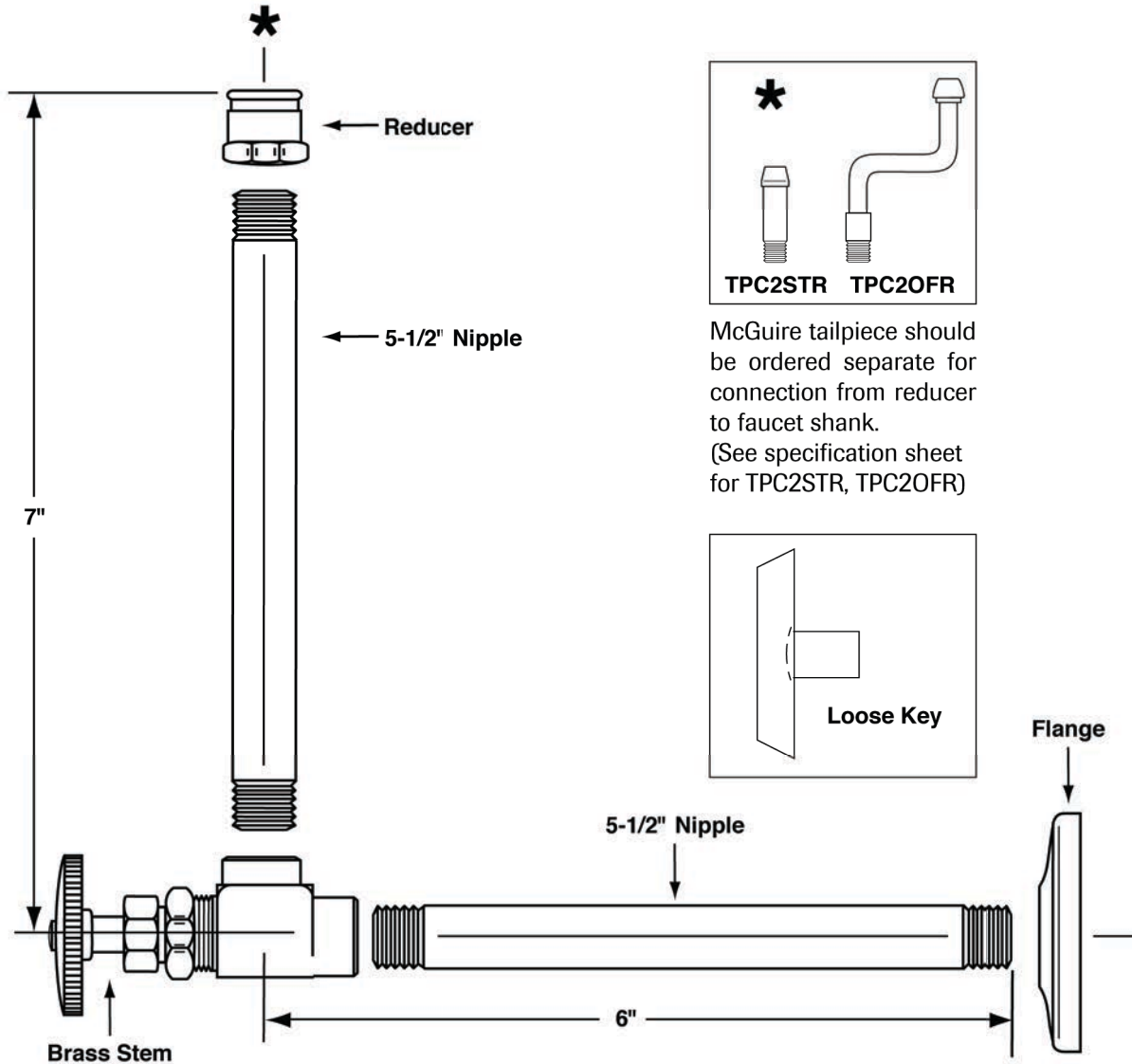
LFH2158, LFH2158LK

**Heavy Rigid Lavatory
Supply 1/2" I.P.S.**

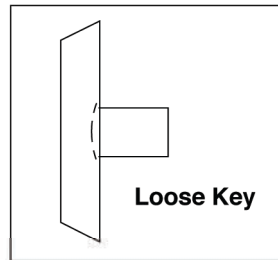
PRODUCT SPECIFICATION

Job Name: _____

Submittal Number: _____



McGuire tailpiece should be ordered separate for connection from reducer to faucet shank.
(See specification sheet for TPC2STR, TPC2OFR)



LK designates Loose Key
See options and accessories section for details on product variations.



Specifications:

Heavy rigid supply kit shall include lead free chrome plated brass stops with threaded connections, stuffing box, full turn brass stem, no plastic, cast brass nipples, cast brass reducer and (steel, brass) or (forged brass with set screw) flange. Inlet shall be (3/8, 1/2) inch IPS. Outlet shall be 3/8 inch IPS. Supply kit shall be McGuire _____. Supply kit shall be certified by recognized testing authority and shall bear manufacturer and testing mark.



WARNING:

This product can expose you to chemicals including lead, which is known to the State of California to cause cancer, and birth defects or other reproductive harm. For more information go to www.P65Warnings.ca.gov.



McGuire Manufacturing Co., Inc.

60 Grandview Court
 Cheshire, Connecticut 06410
 (203) 699-1801 Fax (203) 699-1813
 customerservice@mcguiremfg.com mcguiremfg.com

PRODUCT SPECIFICATION

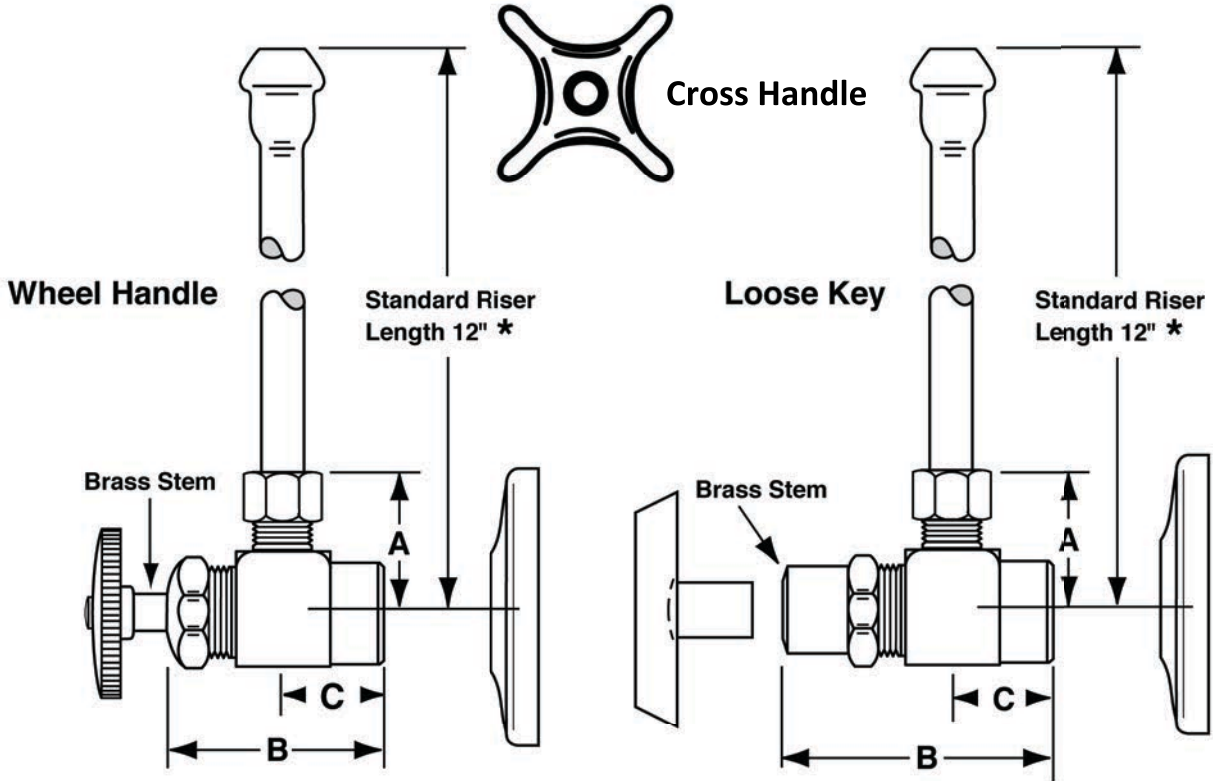
Part No.

LFH2165, LFH2165LK, LFH2165X
 LFH2167, LFH2167LK

Heavy Lavatory Supply
1/2" I.P.S. x O.D.

Job Name: _____

Submittal Number: _____



NO.	DESCRIPTION	ROUGHING MEASUREMENTS		
		A	B	C
LFH2165	1/2" I.P.S. x 3/8" O.D.	1-3/8"	1-15/16"	1"
LFH2165LK	1/2" I.P.S. x 3/8" O.D.	1-3/8"	2-7/16"	1"
LFH2165X	1/2" I.P.S. x 3/8" O.D.	1-3/8"	1-15/16"	1"
LFH2167LK	1/2" I.P.S. x 1/2" O.D.	1-3/8"	2-7/16"	1"
LFH2167	1/2" I.P.S. x 1/2" O.D.	1-3/8"	1-15/16"	1"



LK designates Loose Key

* See options and accessories section for details on product variations.

Specifications:

Supply kit shall include lead free heavy pattern chrome plated brass stops with full turn brass stem, no plastic, (12, 15, 20) inch chrome plated copper risers and (shallow, deep, bell) (steel or brass) or (forged brass with set screw) flange. Inlet shall be (3/8, 1/2) inch (IPS, sweat, compression). Outlet shall be (3/8, 1/2) inch (IPS, compression). Supply kit shall be McGuire _____ . Supply kit shall be certified by recognized authority and bear manufacturer and testing mark.



WARNING:

This product can expose you to chemicals including lead, which is known to the State of California to cause cancer, and birth defects or other reproductive harm. For more information go to www.P65Warnings.ca.gov.



McGuire Manufacturing Co., Inc.

60 Grandview Court
 Cheshire, Connecticut 06410
 (203) 699-1801 Fax (203) 699-1813
 customerservice@mcguiremfg.com mcguiremfg.com

PRODUCT SPECIFICATION

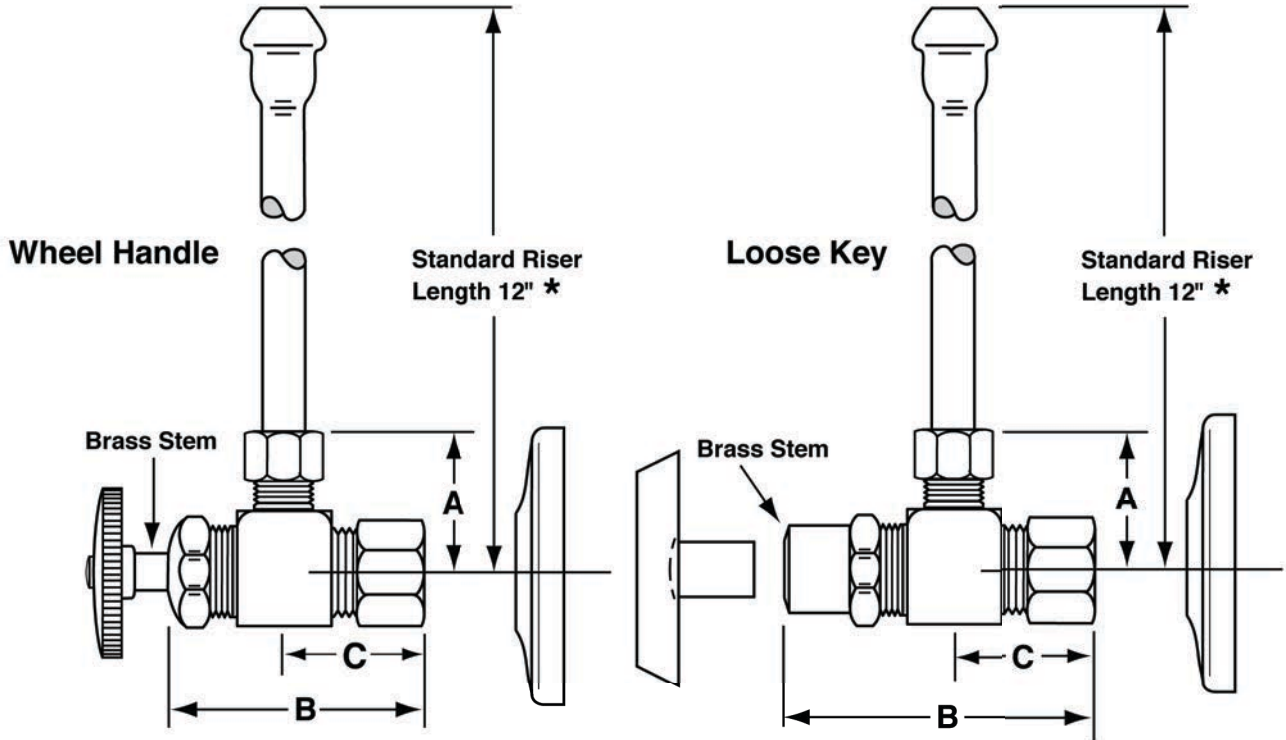
Part No.

LFH2165CC, LFH2165CCLK,
 LFH2167CC, LFH2167CCLK

Heavy Lavatory Supply
1/2" Nominal x O.D.

Job Name: _____

Submittal Number: _____



NO.	DESCRIPTION	ROUGHING MEASUREMENTS		
		A	B	C
LFH2165CC	1/2" Nominal x 3/8" O.D.	1-3/8"	2-1/4"	1-3/8"
LFH2165CCLK	1/2" Nominal x 3/8" O.D.	1-3/8"	2-3/4"	1-3/8"
LFH2167CC	1/2" Nominal x 1/2" O.D.	1-1/2"	2-1/4"	1-3/8"
LFH2167CCLK	1/2" Nominal x 1/2" O.D.	1-1/2"	2-3/4"	1-3/8"



LK designates Loose Key

* See options and accessories section for details on product variations.

Specifications:

Supply kit shall include lead free chrome plated heavy pattern supply brass stop valves with full turn brass stem, no plastic, (12, 15, 20) inch chrome plated risers and (shallow, deep, bell) (steel, brass) or (forged brass with set screw) flange. Inlet shall be (3/8, 1/2) inch compression. Outlet shall be (3/8, 1/2) inch compression. Supply kit shall be McGuire _____. Supply kit shall be certified by recognized authority and bear manufacturer and testing mark.

WARNING:

This product can expose you to chemicals including lead, which is known to the State of California to cause cancer, and birth defects or other reproductive harm. For more information go to www.P65Warnings.ca.gov.



McGuire Manufacturing Co., Inc.

60 Grandview Court
 Cheshire, Connecticut 06410
 (203) 699-1801 Fax (203) 699-1813
 customerservice@mcguiremfg.com mcguiremfg.com

PRODUCT SPECIFICATION

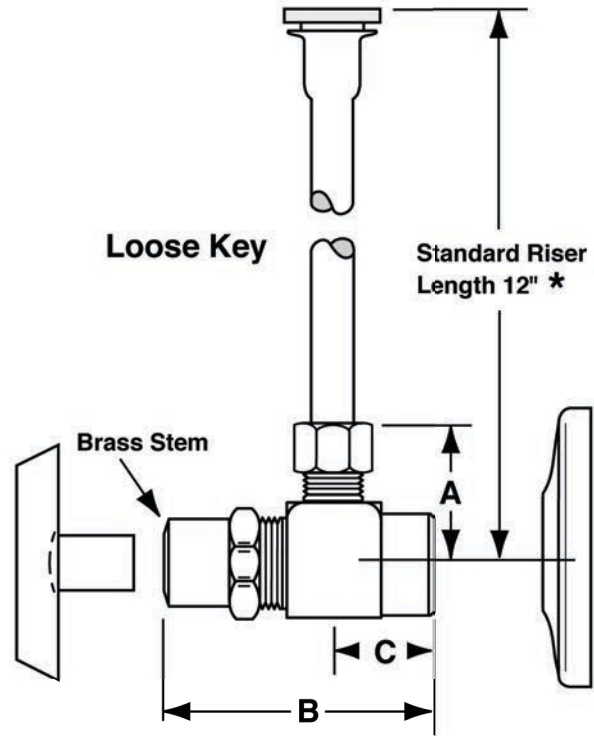
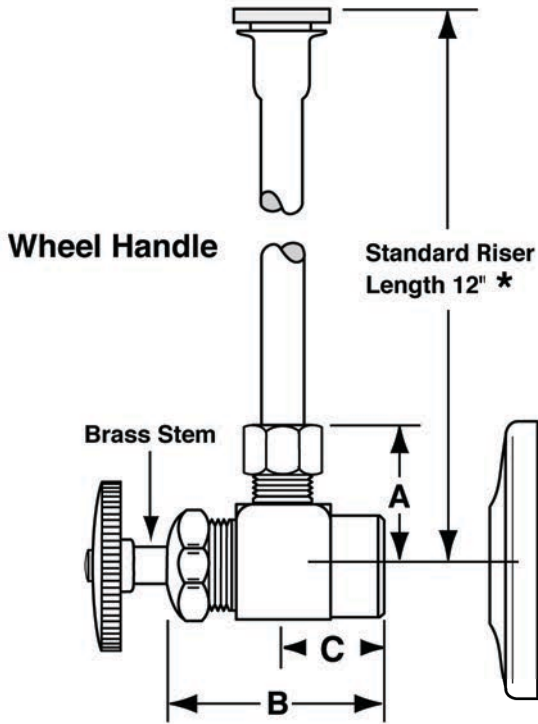
Part No.

LFH2166, LFH2166LK,
 LFH2169, LFH2169LK

Heavy Closet Supply
 1/2" I.P.S. x O.D.

Job Name: _____

Submittal Number: _____



NO.	DESCRIPTION	ROUGHING MEASUREMENTS		
		A	B	C
LFH2166	1/2" I.P.S. x 3/8" O.D.	1-3/8"	1-15/16"	1"
LFH2166LK	1/2" I.P.S. x 3/8" O.D.	1-3/8"	2-7/16"	1"
LFH2169	1/2" I.P.S. x 1/2" O.D.	1-3/8"	1-15/16"	1"
LFH2169LK	1/2" I.P.S. x 1/2" O.D.	1-3/8"	2-7/16"	1"



LK designates Loose Key

* See options and accessories section for details on product variations.

Specifications:

Supply kit shall include lead free chrome plated heavy pattern brass supply stop valves with full turn brass stem, no plastic, (12, 15, 20) inch chrome plated risers and (shallow, deep, bell) (steel, brass) or (forged brass with set screw) flange. Inlet shall be (3/8, 1/2) inch (IPS, sweat, compression). Outlet shall be (3/8, 1/2) inch (IPS, compression). Supply kit shall be McGuire _____. Supply kit shall be certified by recognized authority and bear manufacturer and testing mark.



WARNING:

This product can expose you to chemicals including lead, which is known to the State of California to cause cancer, and birth defects or other reproductive harm. For more information go to www.P65Warnings.ca.gov.



McGuire Manufacturing Co., Inc.

60 Grandview Court
 Cheshire, Connecticut 06410
 (203) 699-1801 Fax (203) 699-1813
 customerservice@mcguiremfg.com mcguiremfg.com

Part No.

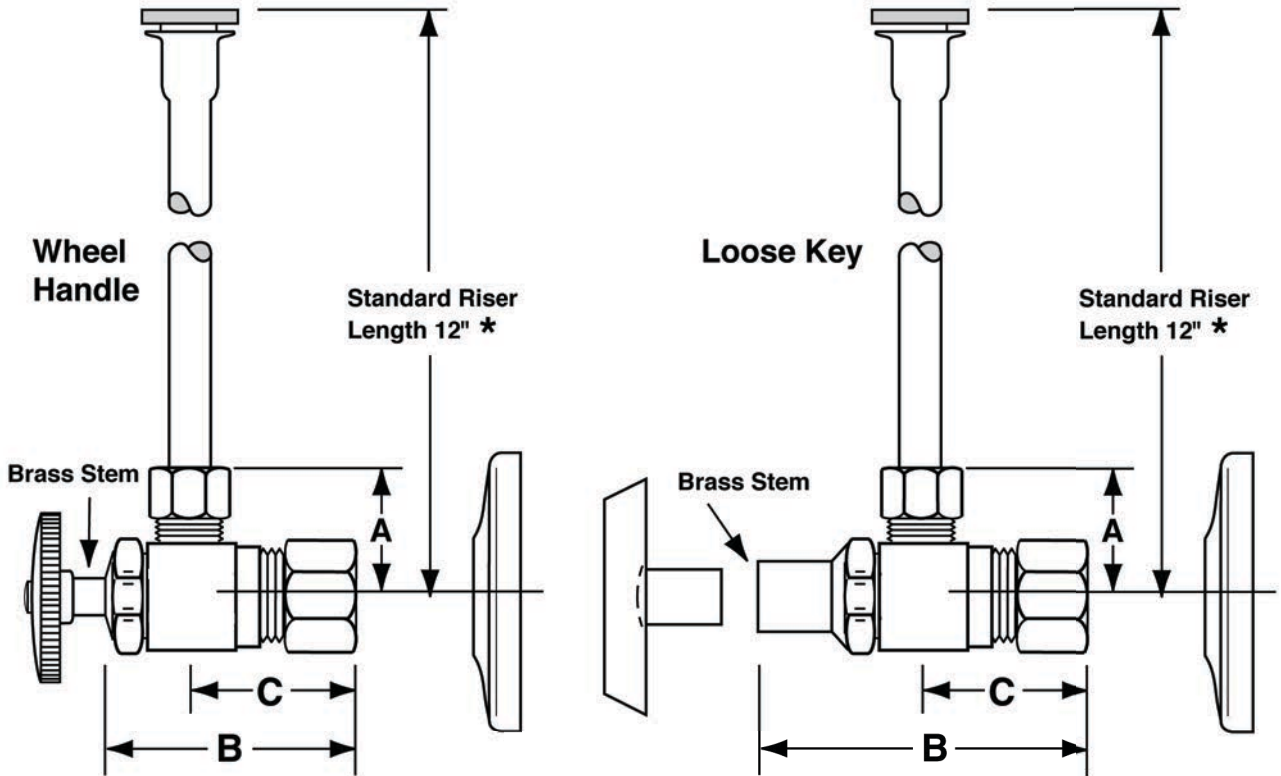
LFH2166CC, LFH2166CCLK,
 LFH2169CC, LFH2169CCLK

Heavy Closet Supply
 1/2" Nominal x O.D.

PRODUCT SPECIFICATION

Job Name: _____

Submittal Number: _____



NO.	DESCRIPTION	ROUGHING MEASUREMENTS		
		A	B	C
LFH2166CC	1/2" Nominal x 3/8" O.D.	1"	1-1/2"	3/4"
LFH2166CCLK	1/2" Nominal x 3/8" O.D.	1"	2-1/4"	3/4"
LFH2169CC	1/2" Nominal x 1/2" O.D.	1"	1-1/2"	3/4"
LFH2169CCLK	1/2" Nominal x 1/2" O.D.	1"	2-1/4"	3/4"



LK designates Loose Key

* See options and accessories section for details on product variations.

Specifications:

Supply kit shall include low lead chrome plated heavy pattern brass supply stop valves with full turn brass stem, no plastic, (12, 15, 20) inch chrome plated risers and (shallow, deep, bell) (steel, brass) or (forged brass with set screw) flange. Inlet shall be (3/8, 1/2) inch (IPS, sweat, compression). Outlet shall be (3/8, 1/2) inch (IPS, compression). Supply kit shall be McGuire _____. Supply kit shall be low lead certified by recognized authority and bear manufacturer and testing mark.



WARNING:

This product can expose you to chemicals including lead, which is known to the State of California to cause cancer, and birth defects or other reproductive harm. For more information go to www.P65Warnings.ca.gov.



McGuire Manufacturing Co., Inc.

60 Grandview Court

Cheshire, Connecticut 06410

(203) 699-1801 Fax (203) 699-1813

customerservice@mcguiremfg.com mcguiremfg.com

PRODUCT SPECIFICATION

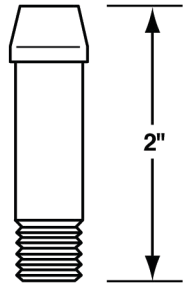
Part No.

TPC2STR, TPC2OFR

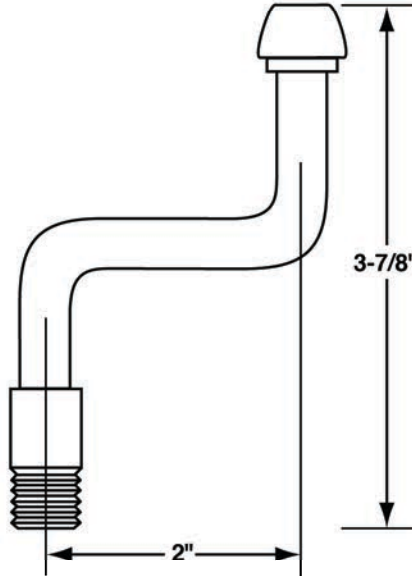
**Brass Tailpieces for
Rigid Lavatory Supplies**

Job Name:

Submittal Number:



TPC2STR



TPC2OFR



Specifications:

Seamless Brass Tailpieces (straight, offset) 1-1/4" x 2" for use with rigid lavatory supply risers.



WARNING:

This product can expose you to chemicals including lead, which is known to the State of California to cause cancer, and birth defects or other reproductive harm. For more information go to www.P65Warnings.ca.gov.